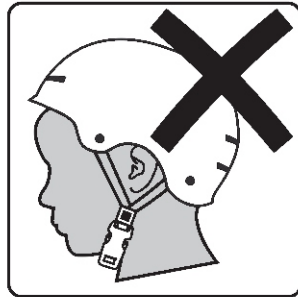
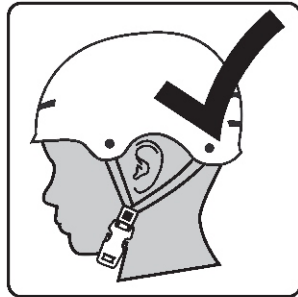


! WARNING:
ALWAYS WEAR YOUR
HELMET WHEN RIDING
THIS PRODUCT!



- Helmet should sit level on your head and low on your forehead
- Adjust the strap sliders below the ear on both sides.
- Buckle the chin strap. Adjust strap until it is snug.
- No more than two fingers should fit between the strap and your chin.
- A proper fitting helmet should be comfortable and not rock forward/backward or side to side.
- Always read the user manual that comes with your helmet to make sure it is fitted and attached properly to the wearer's head according to the fitting instructions described in the user manual.

UPGRADE

UPGRADE

Owner's Manual
Sidewalk Coaster Bicycles



This manual contains important safety, assembly, operation and maintenance information.

Please read and fully understand this manual before operation.

Save this manual for future reference.

Date Code Label
Here



Owner's Manual Index

Your Bike

- Owner's Bicycle Identification Record 3
- Fitting the Rider to the Bicycle 3
- Warning and Safety Information 4
- The Owner's Responsibility 4
- Rules of the Road 5

Bicycle Assembly

- Parts Assembly View 6
- Parts Assembly List 7
- Introduction 8
- Tools Needed 8
- Installing the Front Wheel 9
- Seat Installation 10-11
- Testing Seat Clamp and Post Clamp Tightness 12
- Handlebar Installation 13
- Pedal Installation 14
- Training Wheel Installation (various models) 15-16
- Front and Rear Reflector Installation 17
- Coaster Brake 18

Accessories - various models

- Streamers, Handlebar Pad and Bag 19
- Plaques 20
- Handlebar Accessories and Bell 21

Maintenance and Service

- Repair and Service 22
- Chain Adjustment 22
- Tires 23
- Lubrication and Lubrication Table 24
- Inspection of the Bearings 25
- Torque Table 25

Warranty

- Limited Warranty 26-27

Limited Warranty -continued

What rights do you have?

This warranty gives you specific legal rights. You may also have other rights which vary from state to state.

What will Upgrade do?

Upgrade will replace, without charge to you, the component found to be defective by Upgrade.

CONTACTING CUSTOMER SERVICE:

How do you report a problem with this product or submit a warranty claim?

- Contact Consumer Service - See included list for Customer Contact information.

IN AUSTRALIA:

- Contact Customer Service for Australia or New Zealand. Warranty claims can be submitted to Upgrade/o Hunter Products Pty., Ltd., Level 2, 424 Warrigal Road, Moorabbin, Victoria 3189 Australia.

The following text is incorporated into this Limited Warranty if this product was purchased in Australia (but it is not incorporated if such product was purchased in New Zealand):

- Our goods come with guarantees that cannot be excluded under the Australian Consumer Law. You are entitled to a replacement or refund for a major failure and for compensation for any other reasonably foreseeable loss or damage. You are also entitled to have the goods repaired or replaced if the goods fail to be of acceptable quality and the failure does not amount to a major failure.

For how long does this Limited Warranty last?

- The frame is warranted for life except aluminum frames which are warranted for ten (10) years, from the date of purchase.
- The fork is warranted for life except for shock forks which are warranted one (1) year from date of purchase.
- All other components are warranted for six (6) months from the date of purchase.

Limited Warranty

General:

- Part or model specifications are subject to change without notice.
- This Limited Warranty is the only warranty for this product. There are no other expressed or implied warranties.
- This Limited Warranty extends only to the original consumer and is not transferable to anyone else.
- Warranty registration is not required.
- The only uses for this product are described in this manual.

What does this Limited Warranty cover?

This Limited Warranty covers all parts of the product except those indicated below as not warranted.

What must you do to keep the Limited Warranty in effect?

This Limited Warranty is effective only if:

- Product is completely and correctly assembled.
- Product is used under normal conditions for its intended purpose (see the following section for excluded activities).
- Product receives all necessary maintenance and adjustments.
- Product is used for general transportation and recreational use only.

What is not covered by this Limited Warranty?

This Limited Warranty does not cover normal wear and tear, normal maintenance items, or any damage, failure, or loss that is caused by improper assembly, maintenance, adjustment, storage, or use of the Product.

This Limited Warranty will be void if the unit is ever:

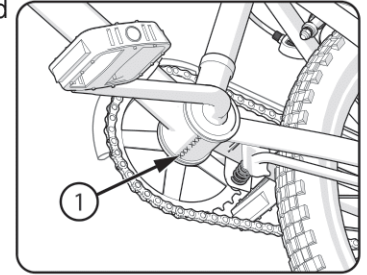
- Used in any competitive sport
- Used for stunt riding, jumping, aerobatics or similar activity
- Modified in any way
- Modified with the addition of a motor
- Ridden by more than one person at a time
- Rented, sold, or given away
- Used in a manner contrary to the instructions and warnings in this Owner's Manual

Upgrade will not be liable for incidental or consequential loss or damage, due directly or indirectly from use of this product. Some states do not allow the exclusion or limitation of incidental or consequential damages, so the above limitation may not apply to you.

Owner's Bicycle Identification Record

NOTE: This information is only available on the bicycle itself. It is not available from Upgrade.

Each Upgrade bicycle has a Recovery Code stamped into the frame. The Recovery Code (1) can be found on the bottom of the crank housing as shown.



Write this number below to keep it for future reference.

If the bicycle is stolen, give this number and a description of the bicycle to the police. This will help them find the bicycle.

Recovery Code: _____

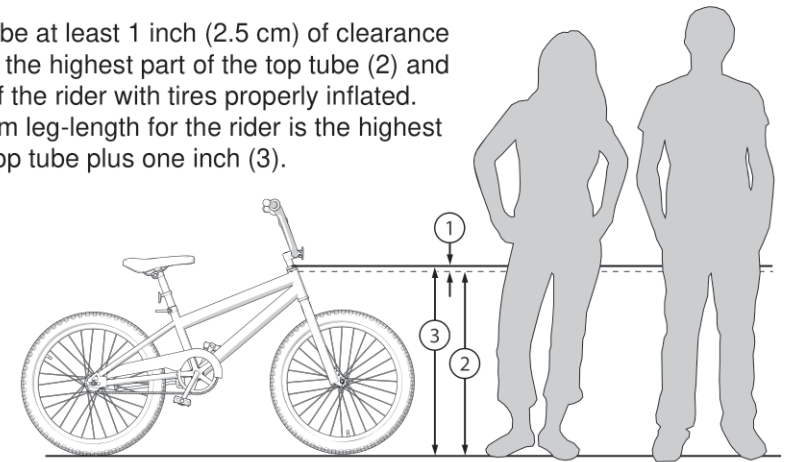
Purchase Date: _____

Model Name: _____

Fitting the Rider to the Bicycle


To determine the correct size of bicycle for the rider:

- Straddle the assembled bicycle with feet shoulder width apart and flat on the ground.
- There must be at least 1 inch (2.5 cm) of clearance (1) between the highest part of the top tube (2) and the crotch of the rider with tires properly inflated.
- The minimum leg-length for the rider is the highest part of the top tube plus one inch (3).



Warning and Safety Information


Meanings of Warnings:

 This symbol is important. See the word “**CAUTION**” or “**WARNING**” which follows it. The word “**CAUTION**” is before mechanical instructions. If you do not obey these instructions, mechanical damage or failure of a part of the bicycle can occur. The word “**WARNING**” is before personal safety instructions. If you do not obey these instructions, injury to the rider or to others can occur.

WARNING:

- **CHOKING HAZARD.** Small parts. Not for children under 3 years.
 - Keep small loose parts and plastic bags out of reach of children.
 - Recommended for children 3 years and up. Maximum weight 60lbs (27kg).
 - Adult assembly is required.
 - Continuous adult supervision is required.
 - Protective equipment should be worn.
 - Always wear a bicycle helmet.
 - Do not add a motor to the product.
 - Do not tow or push the product.
- Do not modify the product.
 - Replace worn or broken parts immediately.
 - If anything does not operate properly, discontinue use.
 - Handlebar hand grip or tube end plugs should be replaced if damaged as bare tubes have been known to cause injury. All products with capped handlebar ends should be checked regularly to ensure that adequate protection for the ends of the handlebars are in place.
 - Replacement forks must have the same rake and tube inner diameter as the original product.

The Owner’s Responsibility

 **WARNING:** This bicycle is made to be ridden by one rider at a time for general transportation and recreational use. It is not made to withstand the abuse of stunting and jumping.

If the bicycle was purchased unassembled, it is the owner’s responsibility to follow all assembly and adjustment instructions exactly as written in this manual, and any “Special Instructions” supplied and to make sure all fasteners and components are securely tightened.

NOTE: Periodically check that all fasteners and components are securely tightened.

If the bicycle was purchased assembled, it is the owner’s responsibility, before riding the bicycle for the first time, to make sure the bicycle has been assembled and adjusted exactly as written in this manual, and any “Special Instructions” supplied and to make sure all fasteners and components are securely tightened.

NOTE:

If product is assembled, please proceed to sections: Testing Seat Clamp tightness.

Inspection of the Bearings

Maintenance

Frequently check the bearings of the bicycle. Lubricate the bearings once a year or any time they do not pass the following tests:

Crank Bearings

The crank should turn freely and smoothly at all times and the front sprockets should not be loose on the crank. You should not be able to move the pedal end of the crank from side-to-side.

Wheel Bearings

Lift each end of the bicycle off the ground and slowly spin the raised wheel by hand. The bearings are correctly adjusted if:

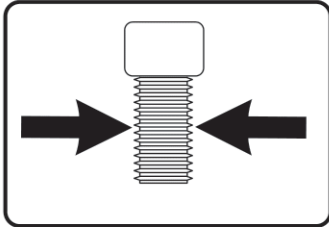
- The wheel spins freely and easily.
- The weight of the spoke reflector, when you put it toward the front or rear of the bicycle, causes the wheel to spin back and forth several times.
- There is no side-to-side movement at the wheel rim when you push it to the side with light force.

Torque Table

Recommended Torque:

Use of a torque wrench is recommended. Recommended torque for each fastener is listed below. In addition to tightening to the recommended torque, please ensure the parts of the product are sufficiently tightened by performing the functional tests (in the component assembly sections of the owner’s manual) on each component as it is tightened.

NOTE: Please check that all fasteners on the product are torqued according to the table:

Recommended Torque for clean, dry threads:		How to Measure:
Fastener Size	Torque (ft-lb / N•m)	Screw or bolt size is determined by the width at the THREADS as shown.
0.157 in (4 mm)	3.1 ft-lbs (4.2 N•m)	
0.196 in (5 mm)	5 ft-lbs (6.8 N•m)	
0.236 in (6 mm)	7 ft-lb (9.5 N•m)	
0.275 in (7 mm)	12 ft-lbs (16.3 N•m)	
0.314 in (8 mm)	17 ft-lbs (23 N•m)	
0.393 in (10 mm)	33 ft-lbs (44.7 N•m)	
0.472 in (12mm)	39 ft-lbs (52.3 N•m)	
Pedals	24 ft-lbs (30 N•m)	

Lubrication



WARNING:

- Do not over lubricate. If oil gets on the wheel rims or the brake shoes, it will reduce brake performance and a longer distance to stop the bicycle will be necessary. Injury to the rider or to others can occur.
- The chain can throw excess oil onto the wheel rim. Wipe excess oil off the chain.
- Keep all oil off the surfaces of the pedals where your feet rest.
- Using soap and hot water, wash all oil off the wheel rims, the brake shoes, the pedals, and the tires.
- Rinse with clean water and dry completely before you ride the bicycle.
- Using a light machine oil (20W), lubricate the bicycle according to the following table:

Lubrication Table

What	When	How
Pedals	every six months	Put four drops of oil where the axles go into the pedals.
Chain	every six months	Put one drop of oil on each roller of the chain. Wipe all excess oil off the chain.

Rules of the Road



WARNING: If this is your child's first bicycle, make sure the child understands and obeys the following "Rules of the Road".

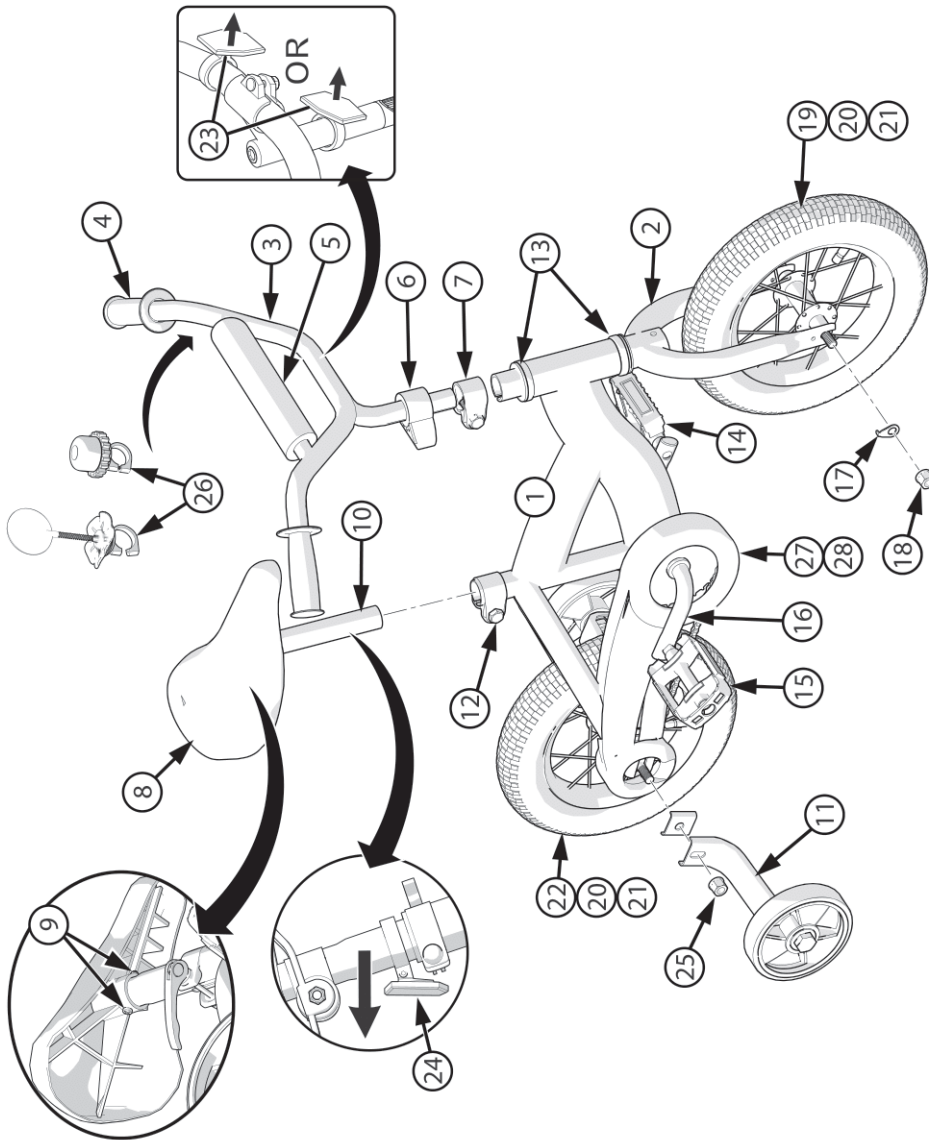


WARNING: Failure of the rider to obey the following "Rules of the Road" can result in injury to the rider or to others.

- Rider must have the skill to operate the bicycle safely. Every bicycle has different handling and operation features. Practice riding on large, flat areas away from traffic and other hazards.
- **Reflectors:** For your own safety, do not ride the bicycle if the reflectors are incorrectly installed, damaged, or missing. Make sure the front and rear reflectors are vertical. Do not allow the visibility of the reflectors to be blocked by clothing or other articles. Dirty reflectors do not work well. Clean the reflectors, as necessary, with soap and a damp cloth.
- Do not ride at night.
- If the bicycle has 12 inch (30cm) or smaller wheels, ride only on sidewalks or on your own property. Never ride on the street or in alleys that are used by motor vehicles.
- Obey all traffic regulations, signs, and signals.
- Always wear shoes.
- Use extra caution in wet weather:
- Ride slowly on damp surfaces because the tires will slide more easily. Apply the brakes sooner than normal. Greater stopping distance is necessary, especially if the wheel rims and tires are wet.
- Be aware of drain grates, soft road edges, gravel or sand, pot holes or ruts, wet leaves, or uneven paving.
- Cross railroad tracks at a right angle to prevent the loss of control.
- Avoid unsafe actions while riding.
- Do not carry any passengers.
- Do not carry any items or attach anything to your bicycle that could hinder your vision, hearing, or control.
- Do not ride with both hands off the handlebar.

When riding with training wheels:

- Ride only on level areas.
- Do not ride on steep hills, uneven sidewalks, or near steps. The bicycle can tip over if a training wheel goes off the edge of the riding surface.
- Ride straight up and down sloped surfaces, because the bicycle can tip over when riding across sloped surfaces.
- Slow down at corners because you cannot turn as quickly as bicycles without training wheels.



Tires

Maintenance:

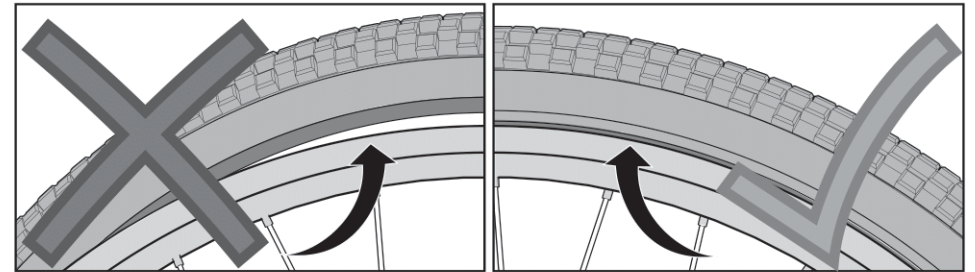
- Frequently check the tire inflation pressure because all tires lose air slowly over time. For extended storage, keep the weight of the bicycle off the tires.
- Do not use unregulated air hoses to inflate the inner tubes. An unregulated hose can suddenly over inflate bicycle tires and cause them to burst.
- Replace worn tires.

⚠ WARNING: Do not ride or sit on the bicycle if a tire is under inflated. This can damage the tire and inner tube.

Inflating the Tires:

- Use a hand or a foot pump to inflate the tires.
- Service station meter-regulated air hoses are also acceptable.
- The maximum inflation pressure is shown on the tire sidewall.
- If two inflation pressures are on the tire sidewall, use the higher pressure for on-road riding and the lower pressure for off-road riding.
- The lower pressure will provide better tire traction and a more comfortable ride.

Before adding air to any tire, make sure the edge of the tire (the bead) is the same distance from the rim, all around the rim, on both sides of the tire. If the tire does not appear to be seated correctly, release air from the inner tube until you can push the bead of the tire into the rim where necessary. Add air slowly and stop frequently to check the tire seating and the pressure, until you reach the correct inflation pressure.



Tire Pressure Table

Recommended Tire Pressure (kilopascals):

Frequently check the tire inflation pressure because all tires lose air slowly over time. For extended storage, keep the weight of the product off the tires.

Recommended tire pressure is marked on the side of the tire. Conversion from PSI to Kilopascals is shown here.

Tire Pressure: (PSI to Kpa Conversion)

PSI	Kpa
20	140
30	210
40	275
50	345
60	415


Repair and Service

WARNING:

- Inspect the bicycle frequently. Failure to inspect the bicycle and to make repairs or adjustments, as necessary, can result in injury to the rider or to others. Make sure all parts are correctly assembled and adjusted as written in this manual and any “Special Instructions”.
- Immediately replace any damaged, missing, or badly worn parts.
- Make sure all fasteners are correctly tightened as written in this manual and any “Special Instructions”. Parts that are not tight enough can be lost or operate poorly. Over tightened parts can be damaged. Make sure any replacement fasteners are the correct size and type.

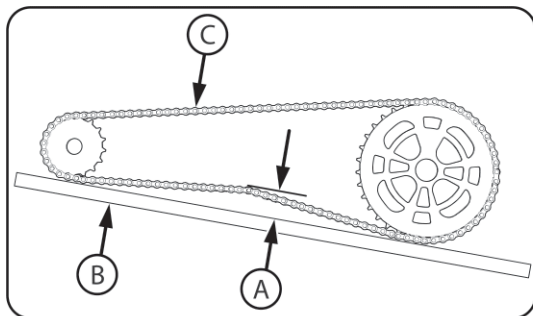
NOTE: Have a bicycle service shop make any repairs or adjustments for which you do not have the correct tools or if the instructions in this manual or any “Special Instructions” are not sufficient for you.

Chain Adjustment

 WARNING: The chain must remain on the sprockets. If the chain comes off the sprockets, the coaster brake will not operate.

Adjustment:

The chain must be at the correct tightness. If too tight, the bicycle will be difficult to pedal. If too loose, the chain can come off the sprockets.




When the chain (C) is at the correct tightness, you can rotate the crank freely and you can pull it no more than one-half inch (A) away from a straightedge (B) as shown.

Adjust the tightness of the chain as follows:

- Loosen the axle nuts of the rear wheel.
- Move the rear wheel forward or backward as necessary.

NOTE: Make sure the rear wheel is in the center of the bicycle frame.

- Hold the wheel in this position and tighten the axle nuts. **See Torque Table for recommended torque.**

 WARNING: Do not attempt chain repairs. If there is a problem with the chain, have a bicycle service shop make any repairs.

Parts Assembly List

No.	Description	No.	Description
1	Frame	16	Crank and Spindle Set
2	Fork	17	Wheel Retainer (x2)
3	Handlebars	18	Front Wheel Nut (x2)
4	Grips (x2)	19	Front Wheel Assembly
5	Handlebar Pad (various models)	20	Tire (x2)
6	Clamp Cover	21	Tube (x2)
7	Clamp	22	Rear Wheel Assembly
8	Seat	23	Front Reflector
9	Seat Post Hardware	24	Rear Reflector
10	Seat Post	25	Rear Wheel Nut (x2)
11	Training Wheel Set	26	Bell (various models)
12	Seat Clamp/Hardware	27	Chain
13	Head Set Bearings/Bushings	28	Chain Guard
14	Left Pedal		
15	Right Pedal		

Introduction

This Owner's Manual is made for several different bicycles:

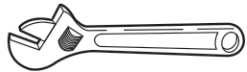
- Some illustrations may vary slightly from the actual product.
- Follow instructions completely.
- If the bicycle has any parts that are not described in this manual, look for separate "Special Instructions" that are supplied with the bicycle.
- Models may have different accessory items such as bags, baskets, reflectors, cup holders, racks, etc.
- All features, components and accessories are not included on all models.
- Use the Index page to locate specific sections of this manual.
- Please read through this entire manual before beginning assembly or maintenance.
- If you are not confident with assembling this unit, refer to a local bike shop.

WARNING: Keep small parts away from children during assembly.

NOTE: All of the directions (right, left, front, rear, etc.) in this manual are as seen by the rider while seated on the bicycle.

Do not dispose of the carton and packaging until you complete the assembly of the bicycle. This can prevent accidentally discarding parts of the bicycle.

Tools Needed

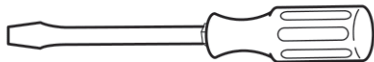


Small Adjustable Wrench

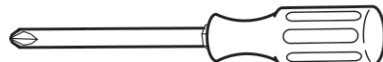
(Jaws must open at least 9/16 inch.)



Open-end Wrenches



Flat-blade Screwdriver



Phillips Screwdriver



Slip-Joint Pliers

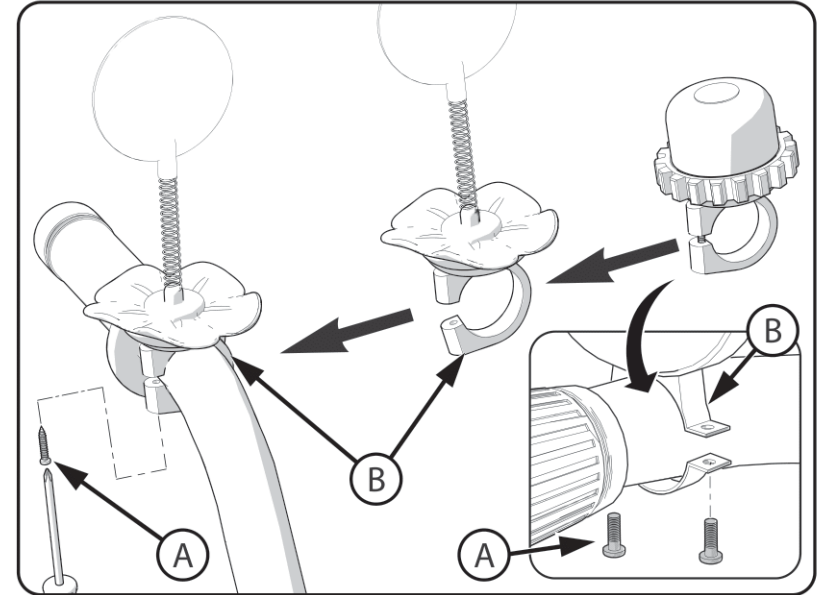


Metric Allen Wrenches



Torque Wrench (recommended)

Handlebar Accessories and Bell (various models)



NOTE: Your bicycle may have different styles of Handlebars Accessories, but they mount the same.

WARNING: Failure to comply with the following instructions may result in injury to the child or others.

- Keep small parts away from children during assembly.
- Accessory must be assembled and removed by an adult.
- Frequently inspect the product for damage.

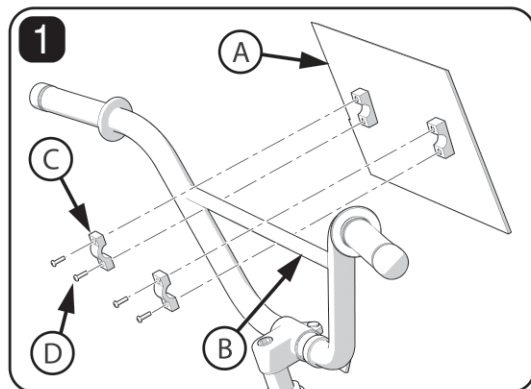
Steps:

- If the mounting Screw (A) is factory installed, remove it and set aside.
- Open the Accessory Clamp (B) just enough to fit on the handlebar.
- Position the Accessory so that is level and positioned as shown.
- Tighten Screw securely. Do not over-tighten. This can damage the Clamp.

Plaques (various models)

(1) Bracket Mount:

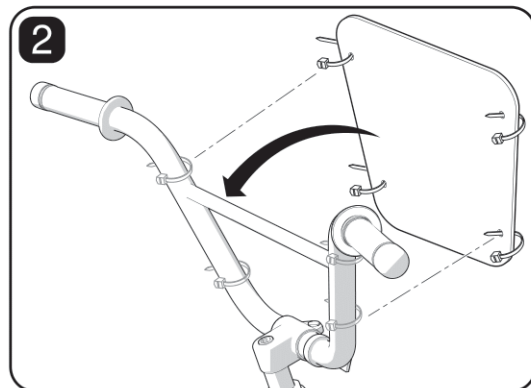
- Attach Plaque (A) to Handlebar Cross Brace (B) using supplied Clamps (C) and Screws (D).
- Tighten Screws so that the Plaque does not move.
- Do not over-tighten Screws. This may damage the Plaque.



(2) Ty-Rap Mount:

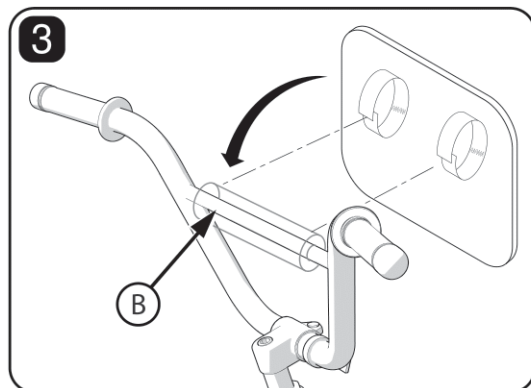
- Position Plaque against Handlebar.
- Attached with supplied zip-tie. Do not over tighten, this can break the zip-tie.

NOTE: Plaques may mount with 2 or more zip-tie.



(3) Velcro Mount:

- Open the straps on the Plaque and wrap them around the Handlebar or Brace (B).
- If Handlebar Pad is in place, wrap straps around the Handlebar Pad.
- Make sure the straps are secure.



! WARNING:

- Ensure Plaque does not interfere with child's visibility or ability to control the product.
- Make sure front Reflectors are not blocked by Plaque.

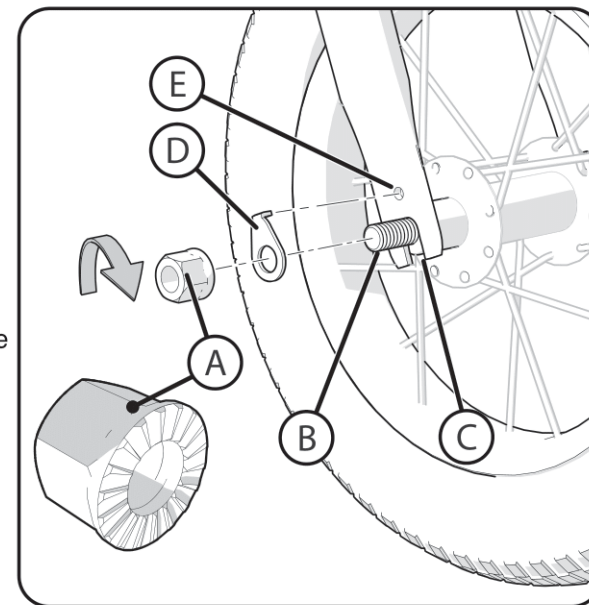
Installing the Front Wheel

1. If the Axle Nuts (A) are already attached to the wheel axle (B), begin by removing them with an open end or adjustable wrench.
2. Set the wheel into the Wheel Dropouts (C).
3. Install Wheel Retainers (D) making sure the tabs are in the Dropout tab holes (E).
4. Attach the wheel with the Axle Nuts (A).
5. Make sure the wheel is in the center of the fork/frame and tighten Axle Nuts securely.

NOTE: See Torque Chart for recommended torque.

! WARNING:

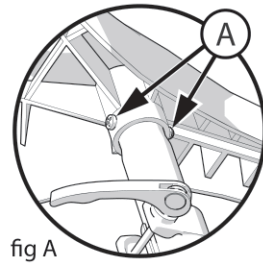
- Ensure wheel spins freely without contacting the frame or fork.
- **Do not use Wheel Nuts (A) without serrations**, to attach the wheel.
- Failure to obey these steps can allow the wheel to loosen while riding. This can cause injury to the rider or to others.



Seat Installation (various models)

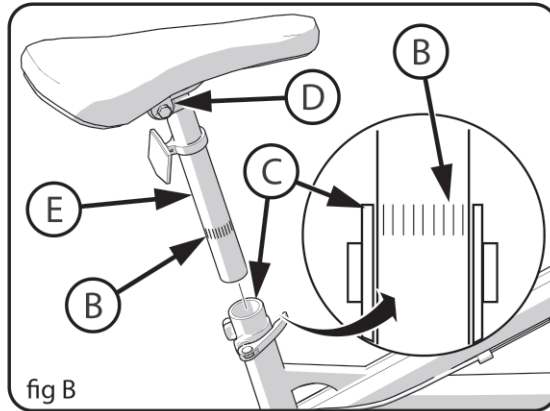
Seat to Seat Post (Single Bolt Style): Some models are equipped with a seat and seat post assembly that uses a single bolt and nut to secure the seat to the seat post. The seat is assembled to the seat post at the factory (A).

Ensure the seat is secure to the seat post and the seat bolt is tightened. **See torque table for recommended torque.**



CAUTION: If you accidentally drop the seat post into the seat tube, it may be difficult to remove it.

WARNING: To prevent the seat coming loose and possible loss of control, the “MIN-IN” (minimum insertion) mark (B) on the Seat Post must be below the top of the Seat Tube (C).



SEAT AND SEAT POST SETUP:

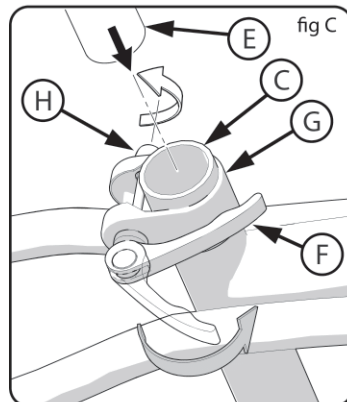
1. If needed, loosen Nuts on Seat Clamp (D) and rotate Seat into riding position.
2. Ensure the Seat Post (E) is fully through the TOP Seat Clamp (D).
3. Tighten the Seat Clamp so the Seat does not move on the seat post. Torque to 17 ft-lbs (23 N•m)
4. If the Seat Clamp has a Nut on each side, tighten both nuts equally.
5. Point the Seat forward and put the Seat Post (E) into the Seat Tube (C) and proceed to next step.

TIGHTEN THE QUICK RELEASE LEVER:

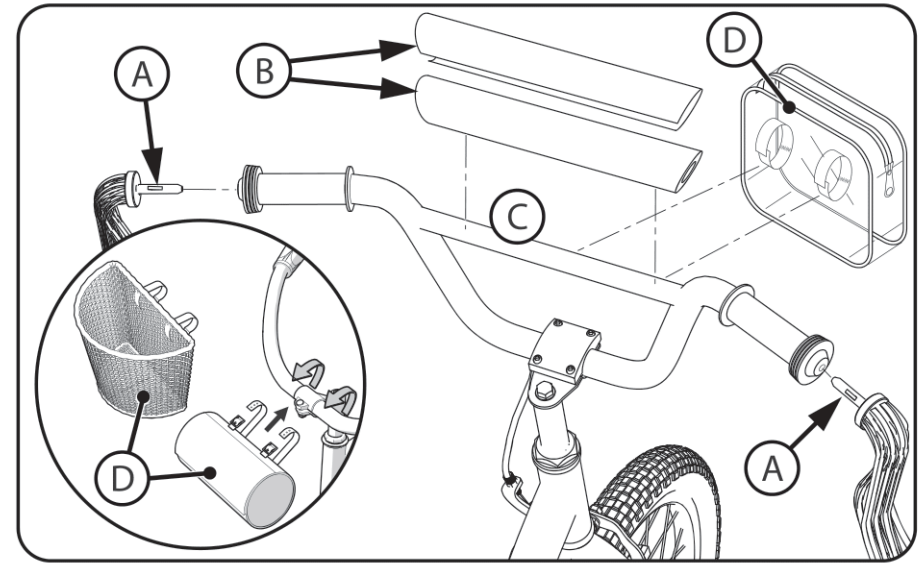
NOTE: The words “open” and “close” are on opposite sides of the quick release lever.

6. Move the Quick Release Lever (F) to the “open” position so the word “open” is pointing away from the Seat Post Clamp (G).

CAUTION: Operate the Quick Release Lever (F) by hand only. Do not use a hammer or any other tool to tighten the quick release lever.



Streamers, Pad and Bags (various models)



Streamers (A):

- Insert each Streamer (A) in the hole in the end of each Handlebar Grip.
- Ensure Streamer is fully inserted so that it does not come loose.

Handlebar Pad (B):

- Remove the cover from the Handlebar pad (B).
- Push foam pad over handlebar brace (C).
- Wrap handlebar pad cover around foam pad and close with the Velcro strip.

Handlebar Bag/Basket (D):

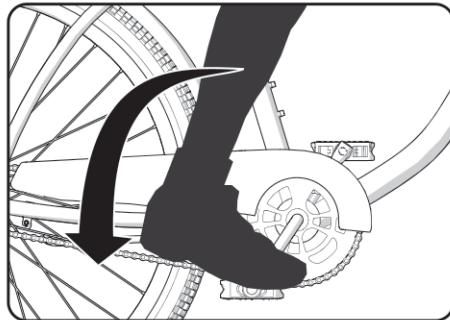
NOTE: Straps may be Velcro or Buckle.

- Open the straps on the bag (D) and wrap them around the Handlebar or Brace (C).
- If Handlebar Pad (B) is in place, wrap straps around the Handlebar Pad.
- Make sure the straps are secure.

CAUTION: Handlebar Bag/Basket weight limit: 5 lbs.

Coaster Brakes

These models are equipped with a rear 'coaster' brake that is operated by rotating the crank backwards.



Operation:

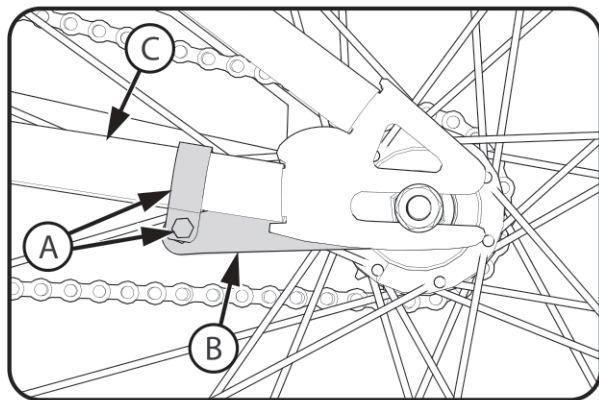
Operate the coaster brake as follows:

- Push the pedals backward to move the chain backward
- The chain activates the coaster brake mechanism that is inside the rear wheel hub
- As you push the pedals backward with increasing force, the braking action of the coaster brake increases.

If your bicycle has a caliper brake(s) in addition to the coaster brake, always use the coaster brake as the main brake to stop the bicycle.

! WARNING: If you do not obey the following instructions, injury to the rider or to others can occur :

- When you ride the bicycle the first time, test the coaster brake and practice using it at a low speed in a large level area that is free of obstructions.
- Every time the bicycle is ridden, make sure the clamp (A) on the brake arm (B) is securely attached to the chain stay (C) of the bicycle frame. The coaster brake will not work correctly if the brake arm is not attached to the chain stay.



Seat Installation - continued

7. You must use strong force to move the quick release lever to the "close" position. If you can easily move the lever to the "close" position, the clamping force is too light.

! WARNING: If the clamping force of the Quick Release Lever is too light, the seat post can loosen while riding. This can cause injury to the rider or to others.

Tighten the quick release lever (fig C):

1. Open and close the Quick Release Lever with one hand while you turn the Adjusting Nut (H) with the other hand.
2. Tighten or loosen the adjusting nut by hand, so that you first feel resistance to the quick release lever when it perpendicular to the bicycle frame.
3. Push the Quick Release Lever to the "close" position.
4. When in the "close" position, make sure the Quick Release Lever lays against the Seat Post Clamp (G).
5. The tightening torque of the Quick Release Lever should be tight enough so that the seat does not move during normal operation.

Seat Bolt Mount (various models)

Some models have a Bolt (I), Washer (J) and Nut (K) instead of a Quick Release Lever.

- If needed, loosen the nut enough to insert the Seat Post (E).
- Point the seat forward and insert Seat Post to the Minimum Insertion marks (B).
- Tighten Nut securely so it supports the rider without moving. **See torque table for recommended torque.**

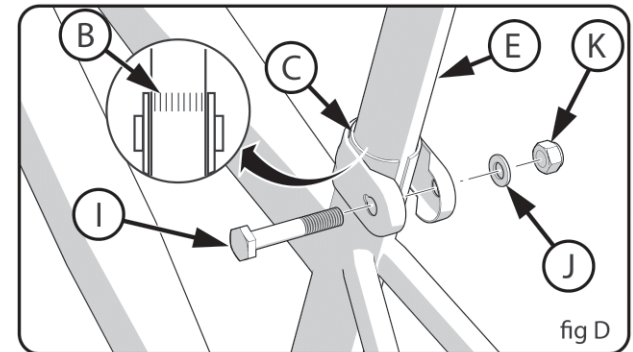


fig D

Testing Seat Clamp and Post Clamp Tightness

To test the tightness of the seat clamp and the post clamp:

WARNING: Every time the quick release mechanism is loosened, make sure the red reflector is correctly positioned.

- Try to turn the seat side-to-side and to move the front of the seat up and down.
- **If the seat moves in the Seat Clamp:**
 - Loosen the Seat Clamp.
 - Put the seat in the correct position and tighten the Seat Clamp tighter than before.
 - Do this test again, until the seat does not move in the Seat Clamp.
- **If the Seat Post moves in the Seat Tube:**
 - Move the Quick Release Lever to the “open” position or loosen Clamp Nut.
 - Put the seat in the correct position and tighten the Quick Release Lever or Clamp Nut tighter than before.
 - If necessary, loosen Quick Release Lever, tighten Adjusting Nut and re-tighten Quick Release Lever.
 - Do this test again, until the seat post does not move in the seat tube.

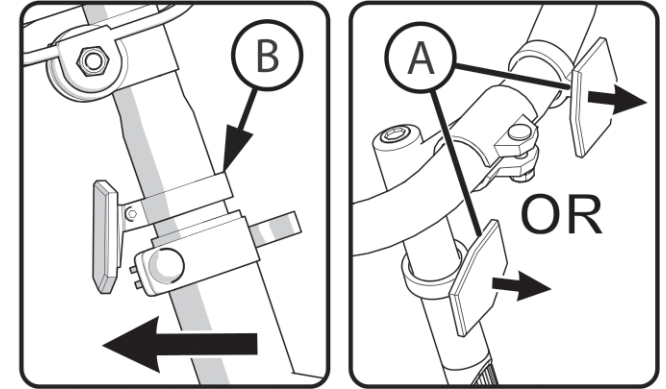
Seat Post and Handlebar Reflector Installation (as equipped)

NOTE: Some models have Reflector pre-installed on handlebar Stem and Seat Post.

Reflector Installation:

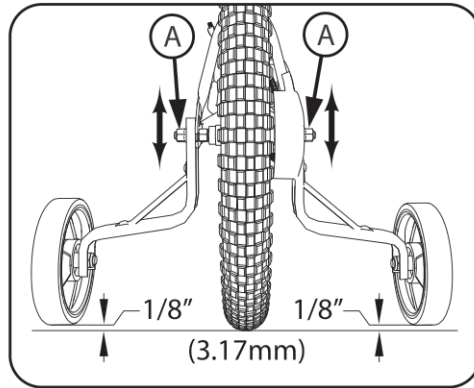
1. Position FRONT Reflector (A) so it points straight forward.
2. Tighten Clamp Screw.
3. Position Seat Post Reflector (if equipped) (B) so it points straight backwards.
4. Tighten Clamp Screw.

NOTE: Do not over-tighten. This will damage the Clamp.



Training Wheels - continued

1. Make sure both Training Wheels are the same distance from the ground (1/8in (3.17mm)) and pointing straight down.
2. Tighten Axle Nuts (A) securely.
See Torque Chart for recommended Torque.



Operation:

WARNING: Before each ride, make sure both axle nuts are tight. Also make sure both training wheels are the same distance from the ground.

As your child's ability improves, you may raise and eventually remove the training wheels. Raising the training wheels little by little will help them learn to ride on the bike's two wheels.

- To move the training wheels, loosen the axle nuts, slide the leg to the correct position, and retighten the axle nuts.
- To remove the training wheels, remove the axle nut, leg and alignment tab. Then reinstall and tighten the axle nut securely.

WARNING: When riding with training wheels:

- Ride only on level areas.
- Do not ride on steep hills, uneven sidewalks, or near steps. The bicycle can tip over if a training wheel goes off the edge of the riding surface.
- Ride straight up and down sloped surfaces, because the bicycle can tip over when riding across sloped surfaces.
- Slow down at corners because you can not turn as quickly as bicycles without training wheels.

Fork and Handlebar Assembly

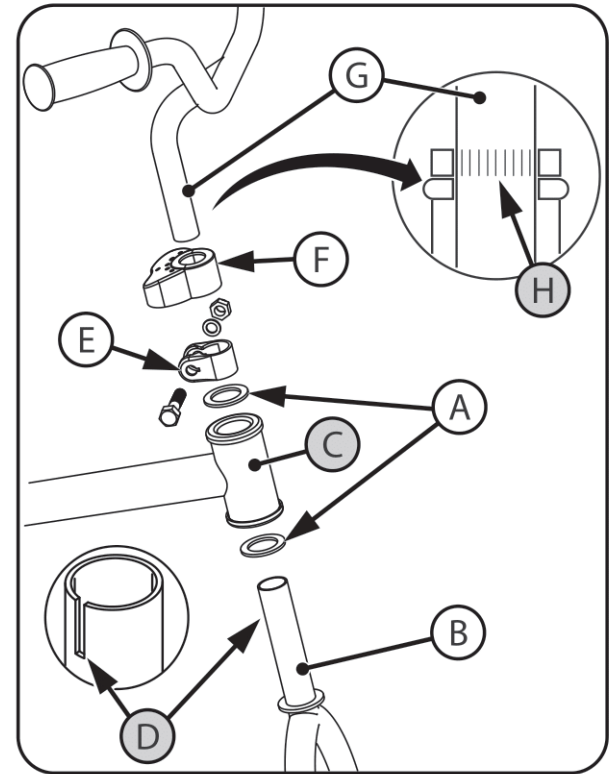
Steps:

1. Place a Spacer (A) onto the Fork Tube (B).
2. Insert the Fork Tube through the Head Tube (C) from bottom.
3. Orient the Slot (D) in the top Fork Tube toward the REAR of the unit.
4. Place other Spacer (A), then the Clamp Assembly (E) onto the Fork Tube with the open end of the Clamp in-line with the slot in the Fork Tube (D).
5. Slide the Clamp Cover (F) as far up the Handlebar (G) as possible.
6. Insert the Handlebar into the Fork Tube.

WARNING: Ensure that the Minimum Insertion Mark (H) on the stem tube is not visible - and is below the top of the Fork Tube.

7. Align the Handlebar so that it is straight with the front wheel.
8. Secure the Handlebar in the Fork Tube by tightening the Clamp Bolt (E) securely.
9. Check that the Clamp is tight enough so that the Handlebar will not rotate inside of the Fork Tube.
10. Slide the Clamp Cover (F) over the Clamp.

NOTE: See Torque Chart for recommended torque.



Pedal Installation

CAUTION: There is a right pedal marked "R" and a left pedal marked "L".

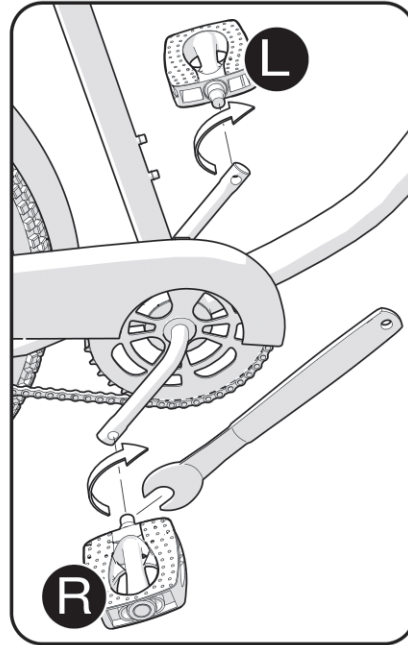
Note: A Pedal Wrench is preferred for attaching Pedals. A thin open-end wrench can also be used.

- The pedal marked "R" has right-hand threads. Tighten it in a **clockwise direction**.
- The pedal marked "L" has left-hand threads. Tighten it in a **counterclockwise direction (anti-clockwise)**.
- Turn the right pedal marked "R" into the right side of the crank arm, and the left pedal marked "L" into the left side of the crank arm.

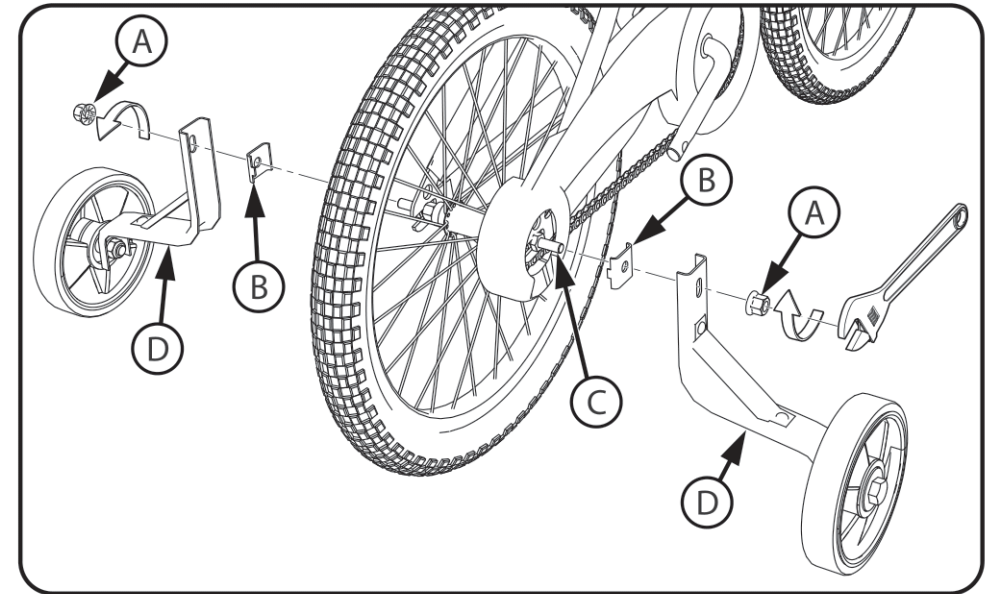
Tighten the pedals:

- Make sure the threads of each pedal are fully into the crank arm.
- **See Torque Chart for recommended Torque.**

WARNING: Ensure pedals are secure in crank arms so they will not loosen. Periodically check tightness.



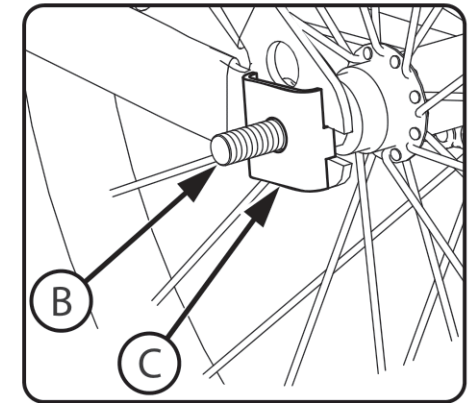
Training Wheel Installation (various models)



To attach the Training Wheels to the Frame:

1. Remove outside Axle Nuts (A) from both sides of Axle (C).
2. Put the Alignment Tab (B) and a Training Wheel Leg (D) and an Axle nut (A) on each end of the rear wheel Axle (C).

WARNING: Make sure the notch of the tab of the Alignment Tab (B) is to the rear of the axle and in the slot of the frame.



continued >>