

**UPGRADE**

# Owner's Manual

## 700c Fixed Gear Bicycles



**This manual contains important safety, assembly, operation and maintenance information.**

**Please read and fully understand this manual before operation.**

Save this manual for future reference.

# Owner's Manual Index

## Introduction

- Owner's Bicycle Identification Record ..... 3
- Fitting the Rider to the Bicycle ..... 3
- Warning and Safety Information ..... 4
- Reflectors ..... 4
- Rules of the Road ..... 4/5
- The Owner's Responsibility ..... 5

## Components

- Part Assembly View ..... 6
- Parts Assembly List ..... 7

## Assembly

- Introduction ..... 8
- Tools Needed ..... 8
- Assemble the Front Wheel to the Fork ..... 9
- Handlebar and Stem Installation ..... 10
- Testing Stem and Handlebar Tightness ..... 11
- Seat Installation ..... 12
- Seat Post Mount ..... 13/14
- Testing Seat Clamp and Post Clamp Tightness ..... 15
- Front and Rear Reflector Installation ..... 16
- Pedal Installation ..... 17
- Switching Rear Wheel Sprocket ..... 18/20
- Chain Adjustment ..... 21/22
- Rear Axle Kickstand Install ..... 22
- Brake System Setup ..... 23/26

## Maintenance and Service

- Repair and Service ..... 27
- Chain ..... 27
- Inspection of the Bearings ..... 27
- Tires ..... 28
- Lubrication ..... 29
- Lubrication Table ..... 29

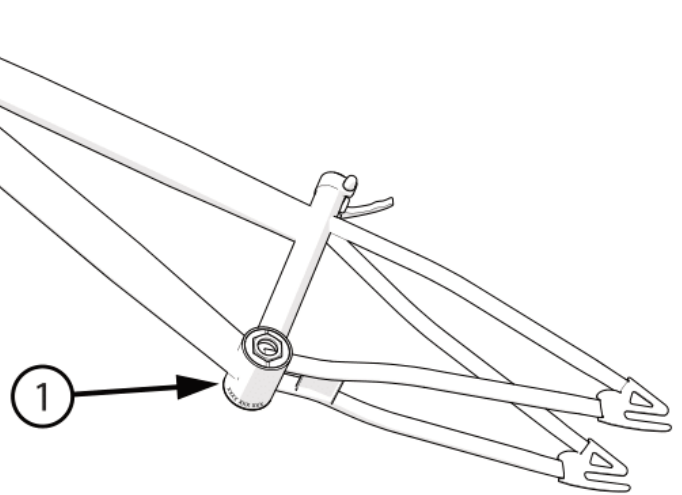
## Warranty

- Warranty Information ..... 30/31

# Owner's Bicycle Identification Record

**NOTE:** This information is only available on the bicycle itself. It is not available from Upgrade.

Each Upgrade bicycle has a Serial Number stamped into the frame. The Serial Number can be found on the bottom of the crank housing as shown (1).



Write this number below to keep it for future reference. If the bicycle is stolen, give this number and a description of the bicycle to the police. This will help them find the bicycle.

**Model / Serial Number:**

---

**Purchase Date:**

---

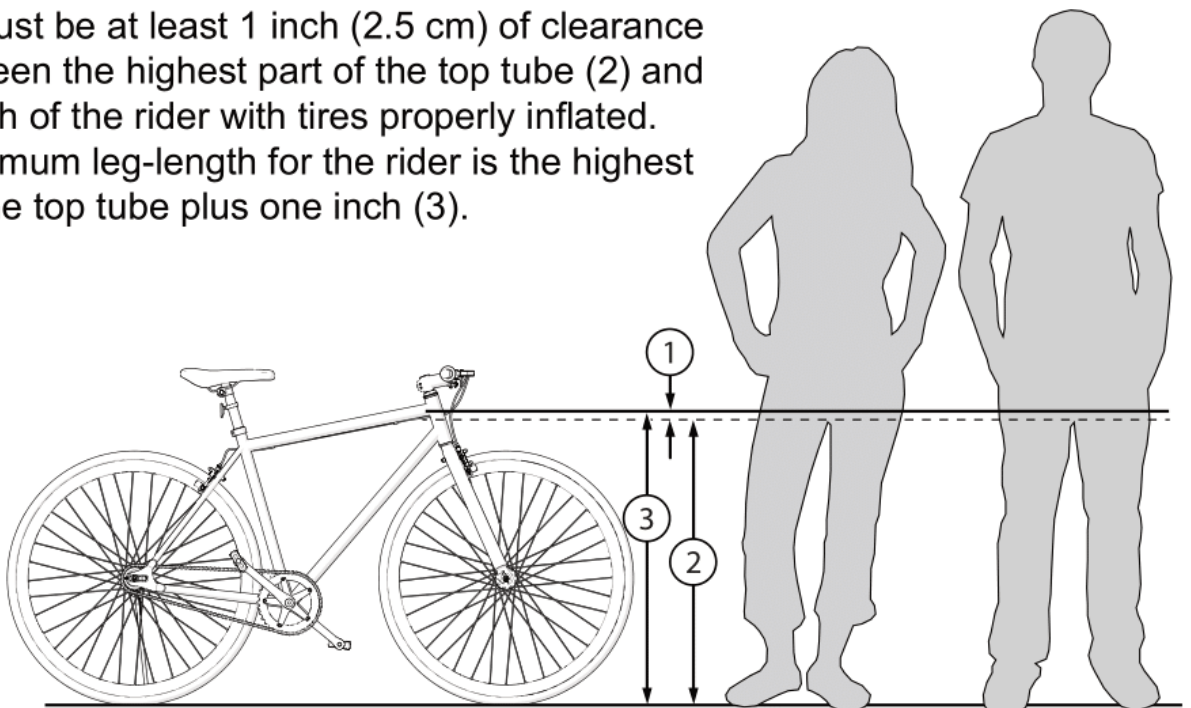
**Model Name:**

---

## Fitting the Rider to the Bicycle


**To determine the correct size of bicycle for the rider:**

- Straddle the assembled bicycle with feet shoulder width apart and flat on the ground.
- There must be at least 1 inch (2.5 cm) of clearance (1) between the highest part of the top tube (2) and the crotch of the rider with tires properly inflated.
- The minimum leg-length for the rider is the highest part of the top tube plus one inch (3).



## Warning and Safety Information

### Meanings of Warnings:

 This symbol is important. See the word “**CAUTION**” or “**WARNING**” which follows it.


The word “**CAUTION**” is before mechanical instructions. If you do not obey these instructions, mechanical damage or failure of a part of the bicycle can occur.

The word “**WARNING**” is before personal safety instructions. If you do not obey these instructions, injury to the rider or to others can occur.


- Do not add a motor to the product.
- Do not tow or push the product.
- Do not modify the product.
- Replace worn or broken parts immediately.
- If anything does not operate properly, discontinue use.

### Fixed Gear Warnings: See Page 17

### Reflectors

 **WARNING:** For your own safety, do not ride the bicycle if the reflectors are incorrectly installed, damaged, or missing. Make sure the front and rear reflectors are vertical. Do not allow the visibility of the reflectors to be blocked by clothing or other articles. Dirty reflectors do not work well. Clean the reflectors, as necessary, with soap and a damp cloth.

### Rules of the Road

 **WARNING:** Failure of the rider to obey the following “Rules of the Road” can result in injury to the rider or to others.

- Obey all traffic regulations, signs, and signals.
- Always wear a bicycle helmet that meets safety standards, as well as local safety standards.
- Ride on the correct side of the road, in a single file, and in a straight line.
- If possible, avoid riding at night, dusk, dawn and any other time of poor visibility.
- **If you must ride at night or at time of poor visibility:**
  - Purchase, install, and use a headlight and taillight.
  - Headlights are required by all states for nighttime riding and taillights are required in some states.
  - Battery-powered lights or flashing safety lights are also recommended.
  - Make sure the reflectors of your bicycle are correctly positioned. Do not remove the reflector or replace the reflectors with lighted devices that look similar to reflectors.



## Rules of the Road - continued

- **Make yourself more visible to motorists:**
  - Wear light-colored or reflective clothing, such as a reflective vest and reflective bands for your arms and legs.
  - Use reflective tape on your helmet.
  - Do not let anything cover the reflectors.
- **Use extra caution in wet weather:**
  - Ride slowly on damp surfaces because the tires will slide more easily.
- **Avoid these hazards to prevent loss of control or damage to your wheels:**
  - Be aware of drain grates, soft road edges, gravel or sand, pot holes or ruts, wet leaves, or uneven paving.
  - Cross railroad tracks at a right angle to prevent the loss of control.
  - Avoid unsafe actions while riding.
  - Do not carry any passengers.
  - Do not carry any items or attach anything to your bicycle that could hinder your vision, hearing, or control.
  - Do not ride with both hands off the handlebar.
  - Do not add a motor to the product.
  - Do not tow or push the product.
  - Do not modify the product.
  - Replace worn or broken parts immediately.
  - If anything does not operate properly, discontinue use.

## The Owner's Responsibility



**WARNING:** This bicycle is made to be ridden by one rider at a time for general transportation and recreational use. It is not made to withstand the abuse of stunting and jumping.

If the bicycle was purchased unassembled, it is the owner's responsibility to follow all assembly and adjustment instructions exactly as written in this manual, and any "Special Instructions" supplied and to make sure all fasteners and components are securely tightened.

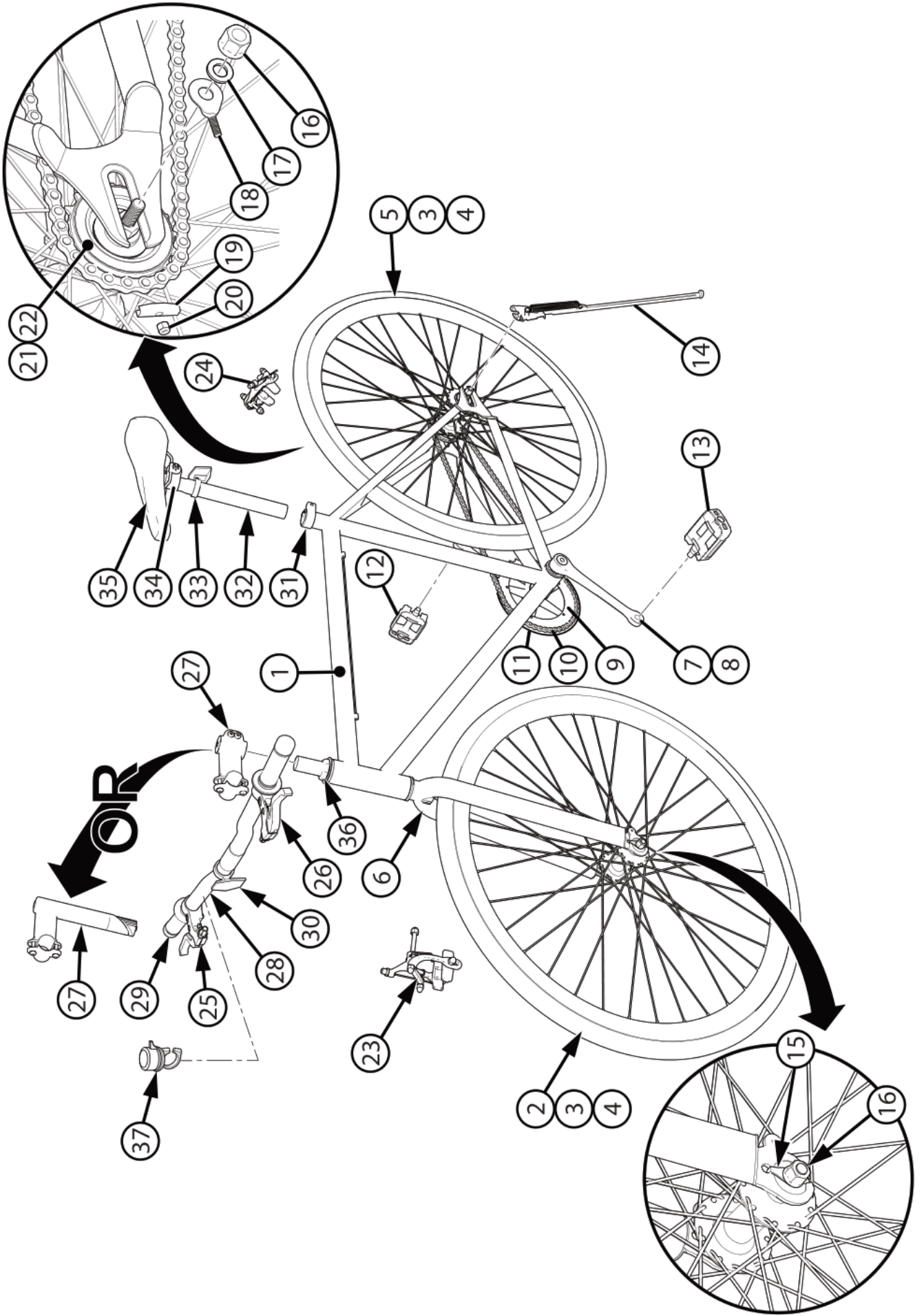
**NOTE:** Periodically check that all fasteners and components are securely tightened.

If the bicycle was purchased assembled, it is the owner's responsibility, before riding the bicycle for the first time, to make sure the bicycle has been assembled and adjusted exactly as written in this manual, and any "Special Instructions" supplied and to make sure all fasteners and components are securely tightened.

### NOTE:

**If product is assembled, please proceed to pages 11 and 15: Testing Stem, Handlebar and Seat Clamp tightness.**

# Part Assembly View



**Components****Parts Assembly List**

| <b>No.</b> | <b>Description</b>    | <b>No.</b> | <b>Description</b>   |
|------------|-----------------------|------------|----------------------|
| 1          | Frame                 | 20         | Adjuster Nut         |
| 2          | Front Wheel Assembly  | 21         | Fixed Sprocket       |
| 3          | Tire (x2)             | 22         | Freewheel Sprocket   |
| 4          | Tube (x2)             | 23         | Front Brake          |
| 5          | Rear Wheel Assembly   | 24         | Rear Brake           |
| 6          | Fork                  | 25         | Right Brake Lever    |
| 7          | Crank Arm Set         | 26         | Left Brake Lever     |
| 8          | Crank Bearing Set     | 27         | Stem                 |
| 9          | Sprocket              | 28         | Handlebar            |
| 10         | Chain                 | 29         | Grips (x2)           |
| 11         | Chain Guard           | 30         | Front Reflector      |
| 12         | Pedal (RH)            | 31         | Seat Post Clamp      |
| 13         | Pedal (LH)            | 32         | Seat Post            |
| 14         | Kickstand             | 33         | Rear Reflector       |
| 15         | Wheel Retainer (x2)   | 34         | Seat Post Hardware   |
| 16         | Axle Nut (x4)         | 35         | Seat                 |
| 17         | Rear Axle Washer (x2) | 36         | Head Set Bearing Set |
| 18         | Adjuster Stud         |            |                      |
| 19         | Adjuster Bracket      |            |                      |

## Introduction

This Owner's Manual is made for several different bicycles:

- Some illustrations may vary slightly from the actual product.
- Follow instructions completely.
- If the bicycle has any parts that are not described in this manual, look for separate "Special Instructions" that are supplied with the bicycle.
- Models may have different accessory items such as bags, baskets, reflectors, cup holders, racks, etc.
- All features, components and accessories are not included on all models.
- Use the Index page to locate specific sections of this manual.
- Please read through this entire manual before beginning assembly or maintenance.
- If you are not confident with assembling this unit, refer to a local bike shop.

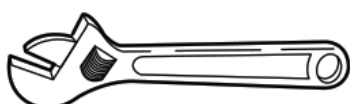


**WARNING:** Keep small parts away from children during assembly.

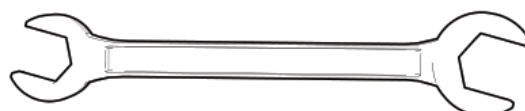
**NOTE:** All of the directions (right, left, front, rear, etc.) in this manual are as seen by the rider while seated on the bicycle.

Do not dispose of the carton and packaging until you complete the assembly of the bicycle. This can prevent accidentally discarding parts of the bicycle.

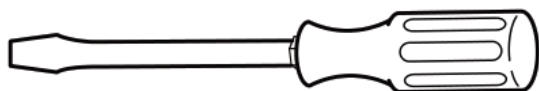
## Tools Needed



**Small Adjustable Wrench**  
(Jaws must open at least 9/16 inch.)



**Open-end Wrenches**



**Flat-blade Screwdriver**



**Phillips Screwdriver**



**Slip-Joint Pliers**

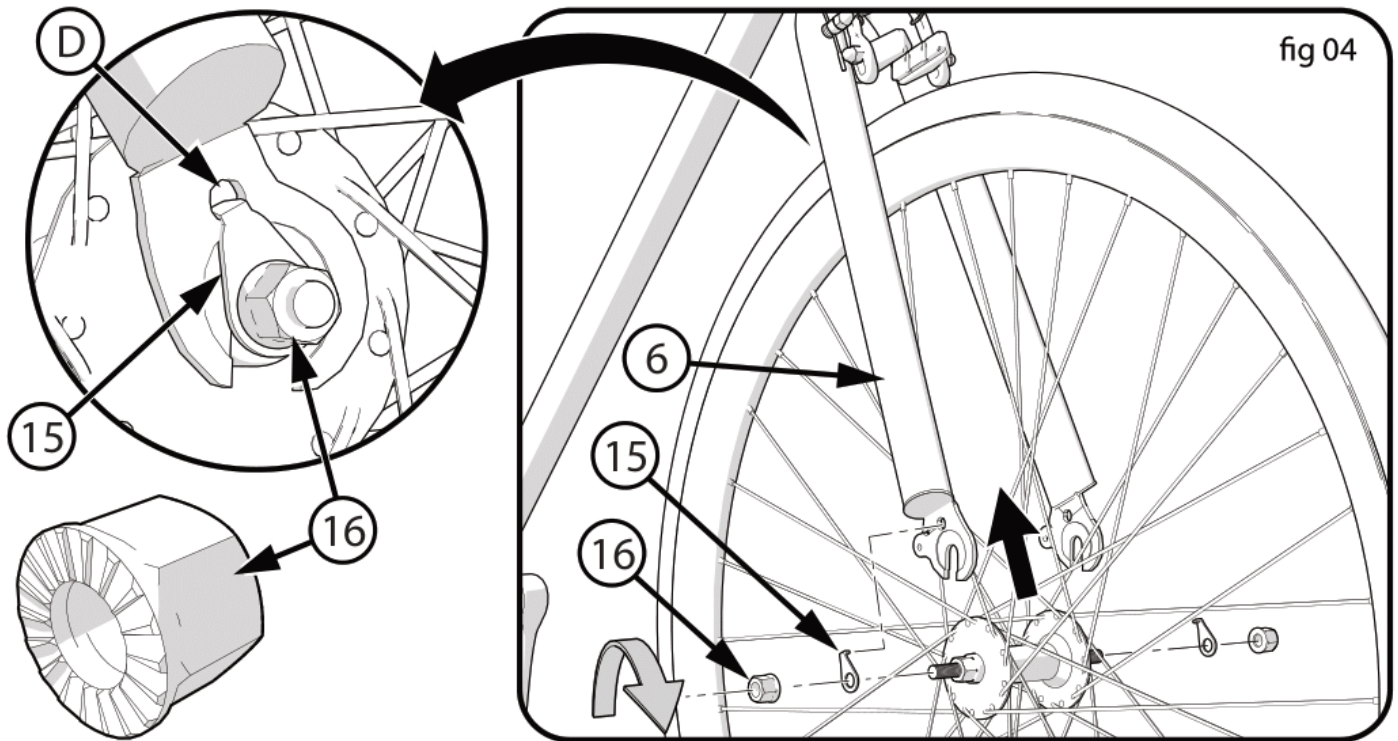


**Metric Allen Wrenches**



## Assemble the Front Wheel to the Fork

1. If the Axle Nuts (16) are already attached to the front wheel axle, begin by removing them with an open end wrench or adjustable wrench.
2. Set the Wheel into the Front Fork (6) (**fig 04**).
3. Install Wheel Retainers (15) making sure the tabs are in the fork (D) Tab Holes.
4. Attach the Front Wheel with the Axle Nuts.
5. Tighten Axle Nuts to 21 ft-lbs.



**NOTE:** Ensure wheel spins freely without contacting fork.

**WARNING:** Do not use Nuts (16) without serrations to attach the front wheel.

**WARNING:** Put the wheel in the center of the fork and tighten both nuts to the recommended torque of 21 ft.-lbs.

**WARNING:** Failure to obey these steps can allow the front wheel to loosen while riding. This can cause injury to the rider or to others.

## Handlebar and Stem Installation

**WARNING:** To prevent steering system damage and possible loss of control, make sure the Stem is installed against the Head Set Spacers (C).

### NOTES:

- Stem may be pre-installed from the Factory.
- Make sure Fork and Brake Caliper are pointing FORWARD before installing Stem.
- The Stem can be lowered or raised on the Fork Tube by placing Spacers (C) above or below the Stem. Always use all the Spacers shipped with the bike.
- The Stem can be installed angled up or down.

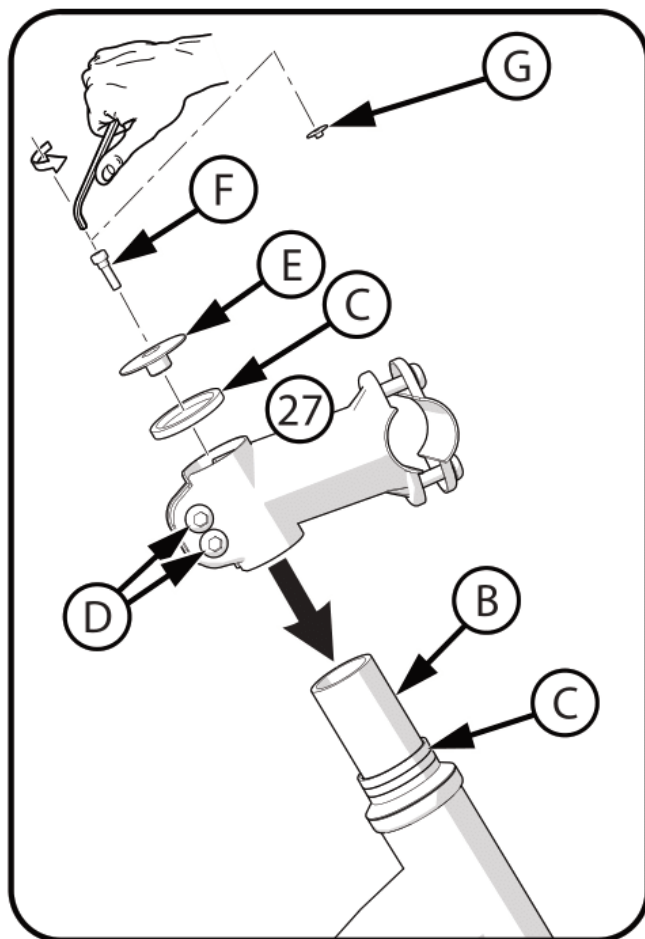
**WARNING:** Always use at least one Spacer ABOVE the Stem to prevent damage to the Fork Tube when tightening the Stem.

1. Install Stem (27) on Fork Tube (B) and against Spacers (C) as shown.
2. Align Stem with Fork and Brake Calipers so it points forward.
3. Place at least one Spacer on top of Stem.
4. Install Cap (E) in top of Stem and tighten Cap Screw (F) securely so that there is no play in headset but the fork can turn smoothly.
5. Tighten Stem Screws (D) securely.
6. Push rubber Plug (G) into Screw.

**WARNING:** Do not over-tighten the stem bolts. Over tightening the stem bolt can damage the steering system and cause loss of control.

### Handlebar Clamp:

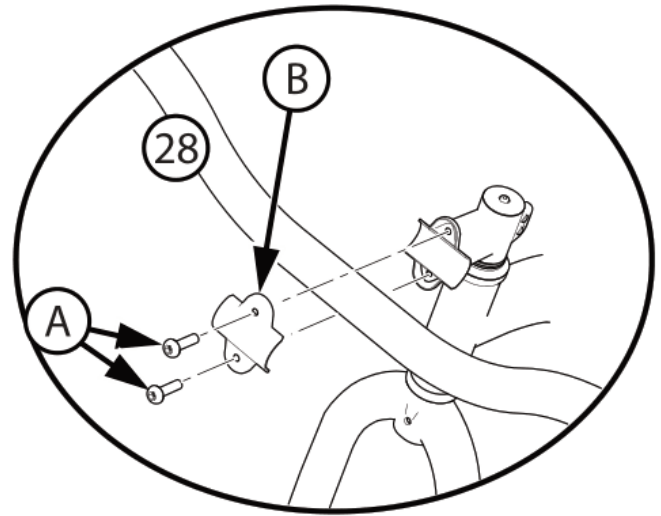
**WARNING:** If the handlebar clamp is not tight enough, the handlebar can slip in the stem. This can cause damage to the handlebar or stem, and can cause loss of control.



## Handlebar and Stem Installation - continued

### Steps:

1. Remove Screws (A) and Stem Clamp Half (B).
2. Place Handlebar (28) centered into Stem and install Stem Clamp and Screws hand tight.
3. Position Handlebars so they are comfortable for the rider.
4. Tighten Screws securely and evenly.



**NOTE:** Do not over tighten. Torque to 17 ft-lbs.

## Testing Stem and Handlebar Tightness

### To test the tightness of the stem:

- Straddle the front wheel between your legs.
- Try to turn the front wheel by turning the handlebar.
- If the handlebar and stem turn without turning the front wheel, realign the stem with the wheel and tighten the stem bolt(s) tighter than before (about 1/2 revolution only at a time).
- Do this test again, until the handlebar and stem do not turn without turning the front wheel.

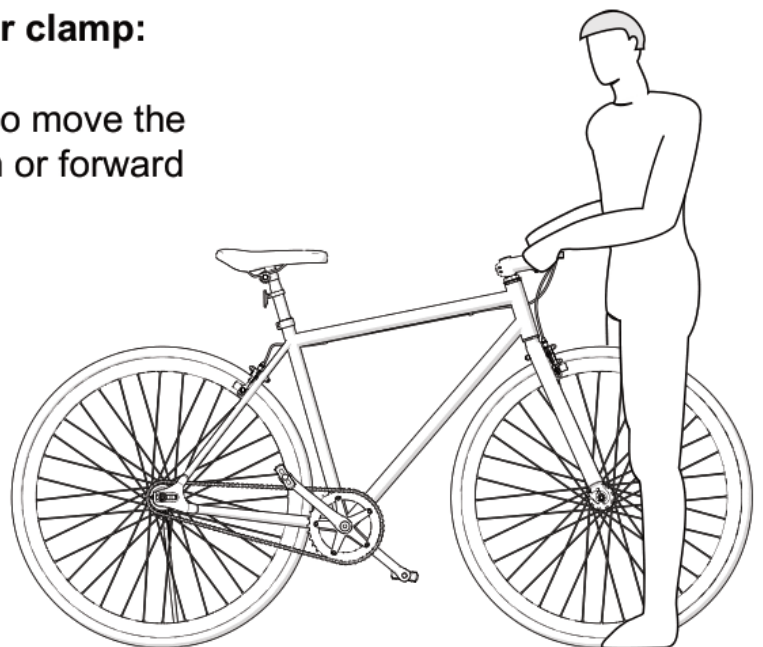
### To test the tightness of the handlebar clamp:

- Hold the bicycle stationary and try to move the ends of the handlebar up and down or forward and back.



**WARNING:** Do not exceed 100 lbs force.

- If the handlebar moves, loosen the bolt(s) of the handlebar clamp.
- Put the handlebar in the correct position and tighten the bolt(s) of the handlebar clamp tighter than before.
- If the handlebar clamp has more than one bolt, tighten the bolts equally.
- Do this test again, until the handlebar does not move in the handlebar clamp.





## Seat Installation (various models)

### Bolt/Clamp model:

#### Attach Seat to Seat Post (fig 09):

(pre-assembled on some models)

- Loosen nuts on seat clamp (A) and rotate Seat (35) into riding position.
- Put the seat post (32) fully through the seat clamp.
- Tighten the Seat Clamp so the seat stays on the seat post.
- If the Seat Clamp has a nut on each side, tighten both nuts equally.

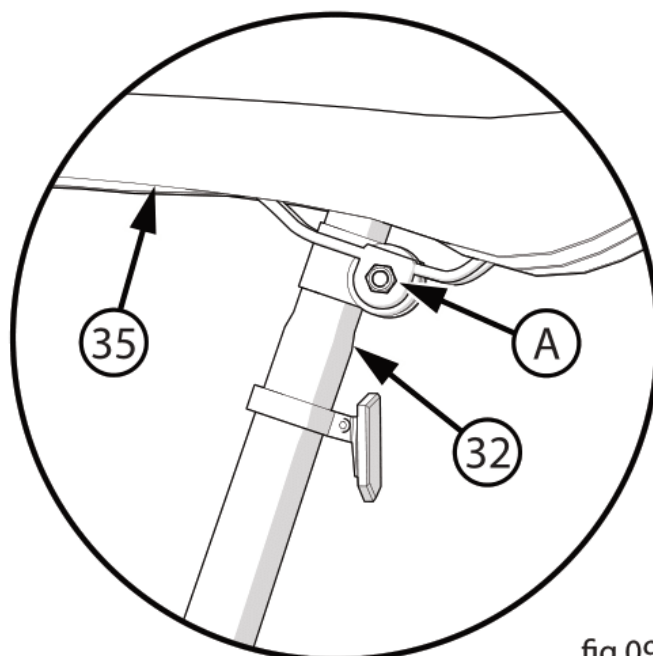


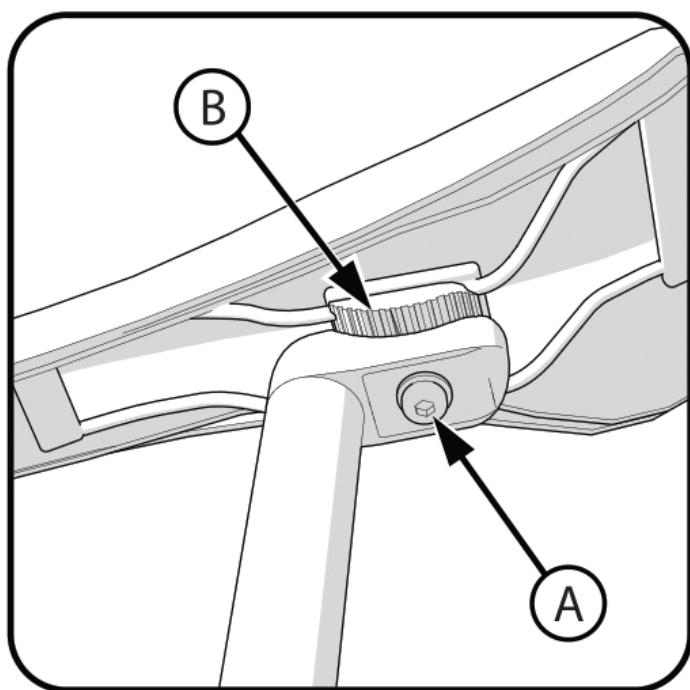
fig 09

#### Single Bolt Seat Clamp:

It is important that you loosen the clamp bolt sufficiently to allow any serrations (B) on the mechanism to disengage before changing the seat's angle, and then that the serrations fully re-engage before you tighten the clamp bolt.

#### Steps:

- Loosen the Seat Clamp Bolt (A) enough to allow the seat to adjust.
- Position the seat to a comfortable riding position.
- Tighten the Seat Clamp Bolt (A) sufficiently to ensure the seat will not come loose.



**⚠ WARNING:** When making seat angle adjustments with a single bolt seat clamp, always check to make sure that the serrations on the mating surfaces of the clamp are not worn. Worn serrations on the clamp can allow the seat to move, causing you to lose control and fall. Always tighten fasteners sufficiently. Bolts that are too tight can stretch and deform. Bolts that are too loose can move and fatigue.

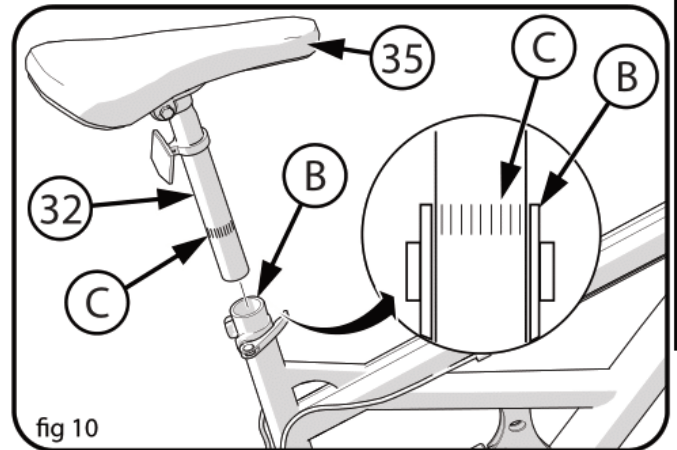


## Seat Installation - continued

**CAUTION:** If you accidentally drop the seat post into the seat tube, it may be difficult to remove it.

- Point the Seat (35) forward and put the Seat Post (32) into the Seat Tube (B) (figs 10, 11).

**WARNING:** To prevent the seat coming loose and possible loss of control, the "MIN-IN" (minimum insertion) mark (C) on the seat post must be below the top of the Seat Tube (B).

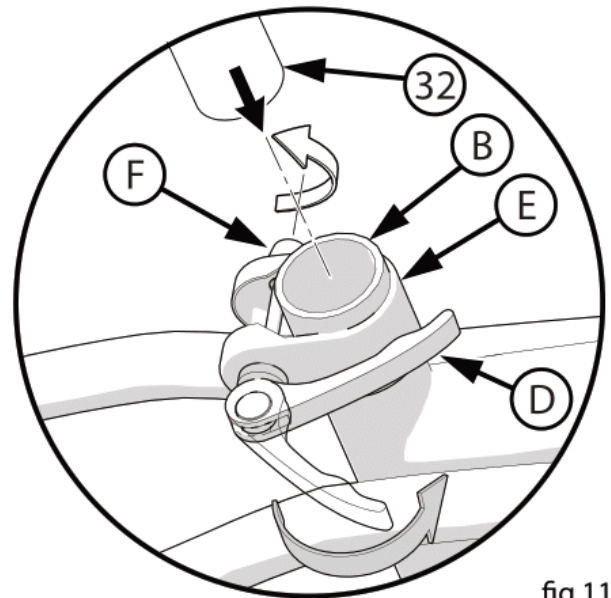


### Quick Release Lever (various models)

#### Tighten the quick release lever:

- Move the Quick Release Lever (D) to the "open" position so the word "open" is pointing away from the Seat Post Clamp (E).

**NOTE:** The words "open" and "close" are on opposite sides of the quick release lever.



## Seat Installation - continued

**CAUTION:** Operate the Quick Release Lever (D) by hand only. Do not use a hammer or any other tool to tighten the quick release lever.

You must use strong force to move the quick release lever to the “close” position. If you can easily move the lever to the “close” position, the clamping force is too light.

**WARNING:** If the clamping force of the Quick Release Lever is too light, the seat post can loosen while riding. This can cause injury to the rider or to others.

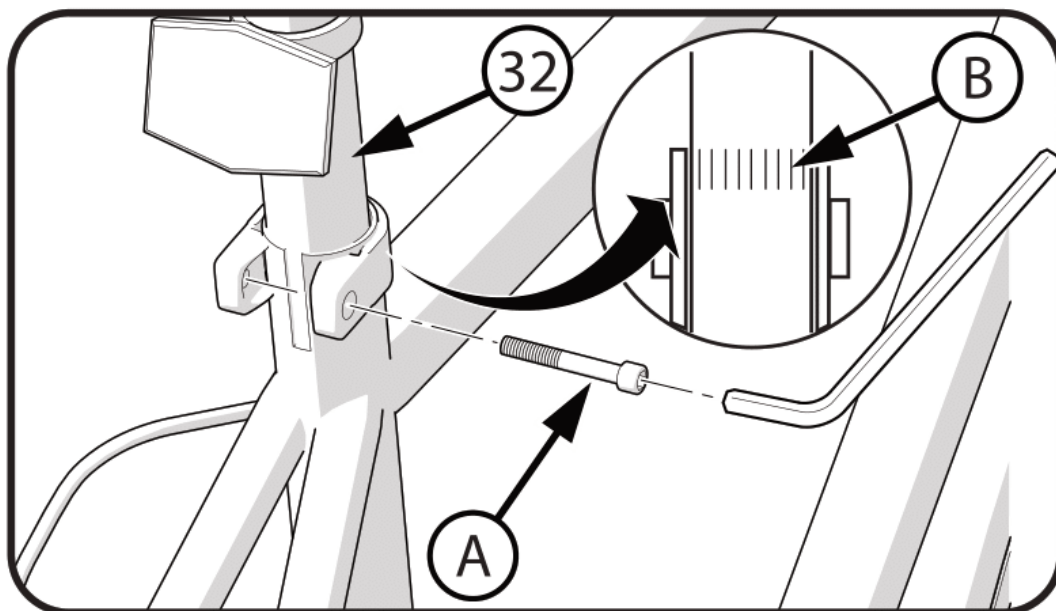
### Tighten the quick release lever (continued):

- Open and close the Quick Release Lever with one hand while you turn the Adjusting Nut (F) with the other hand (**fig 11**).
- Tighten or loosen the adjusting nut by hand, so that you first feel resistance to the quick release lever when it perpendicular to the bicycle frame.
- Push the Quick Release Lever to the “close” position (**fig 11**).
- When in the “close” position, make sure the Quick Release Lever lays against the Seat Post Clamp (E).
- The tightening torque of the Quick Release Lever should be tight enough so that the seat does not move during normal operation.

### Seat Bolt Mount (various models)

Some models have a Allen Head Screw (A) instead of a Quick Release Lever.

- If needed, loosen the Screw enough to insert the Seat Post (32).
- Point the seat forward and insert Seat Post to the Minimum Insertion marks (B).
- Tighten Screw (A) securely so it supports the rider without moving.



## Testing Seat Clamp and Post Clamp Tightness

To test the tightness of the seat clamp and the post clamp:



**WARNING:** Every time the quick release mechanism is loosened, make sure the red reflector is correctly positioned.

- Try to turn the seat side-to-side and to move the front of the seat up and down.

### • If the seat moves in the Seat Clamp (A):

- Loosen the Seat Clamp (A).
- Put the seat in the correct position and tighten the Seat Clamp tighter than before.
- Do this test again, until the seat does not move in the Seat Clamp.

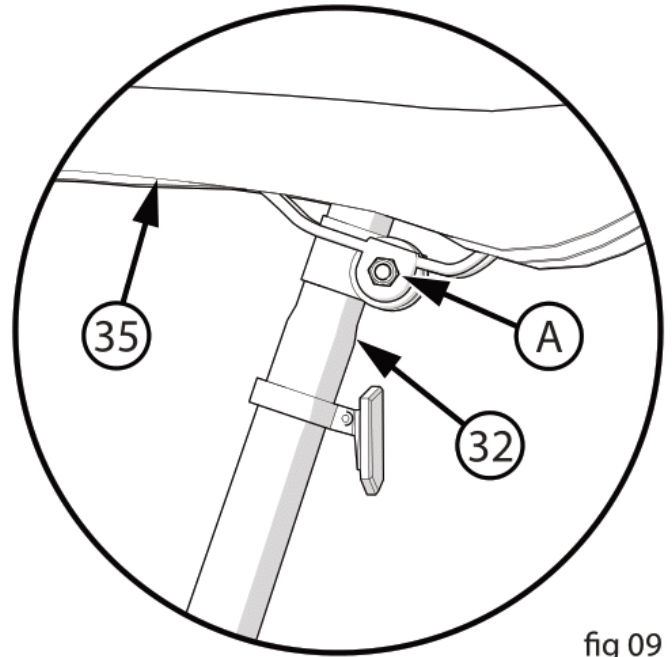


fig 09

### • If the Seat Post (10) moves in the Seat Tube (B) (Quick Release):

- Move the Quick Release Lever (D) to the “open” position.
- Put the seat in the correct position and tighten the Quick Release Lever tighter than before.
- If necessary, loosen Quick Release Lever, tighten Adjusting Nut (F) and re-tighten Quick Release Lever.
- Do this test again, until the seat post does not move in the seat tube.

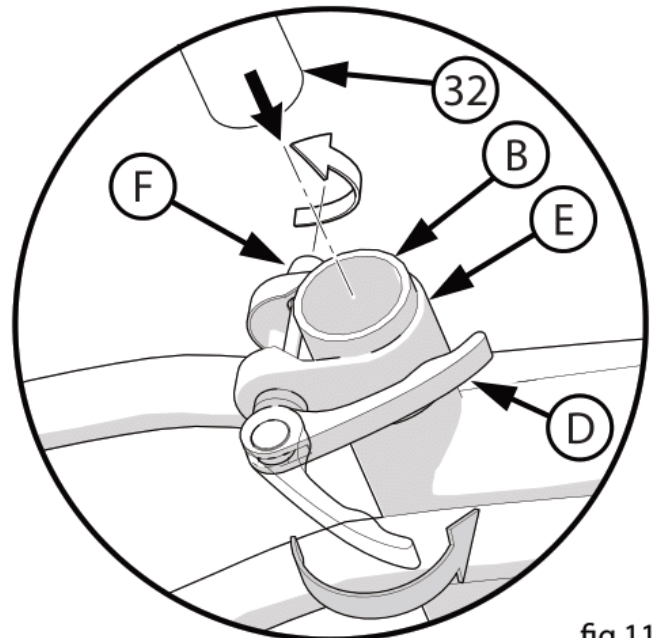
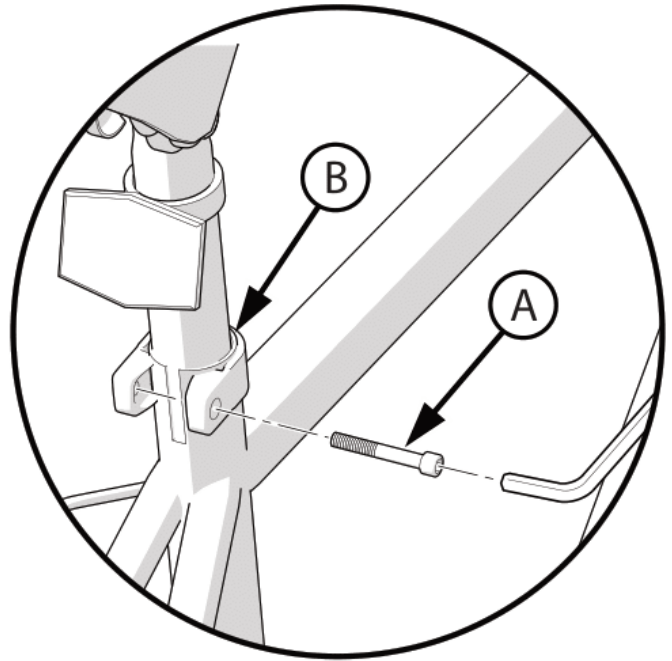


fig 11

## Testing Seat Clamp and Post Clamp Tightness - continued

- If the Seat Post (10) moves in the Seat Tube (B) (Screw Clamp):
  - Loosen the clamp Screw (A).
  - Put the seat in the correct position and tighten the Screw tighter than before.
  - Do this test again, until the seat post does not move in the seat tube.



## Front and Rear Reflector Installation

1. Position FRONT Reflector (30) so it points straight forward.
2. Tighten Clamp Screw.

**NOTE:** Do not over-tighten. This will damage the Clamp.

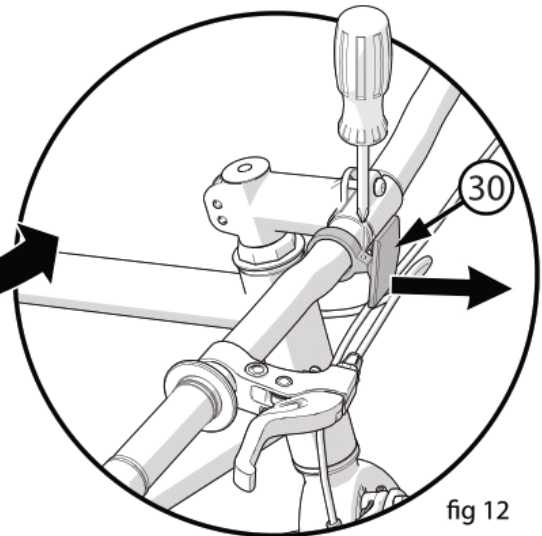
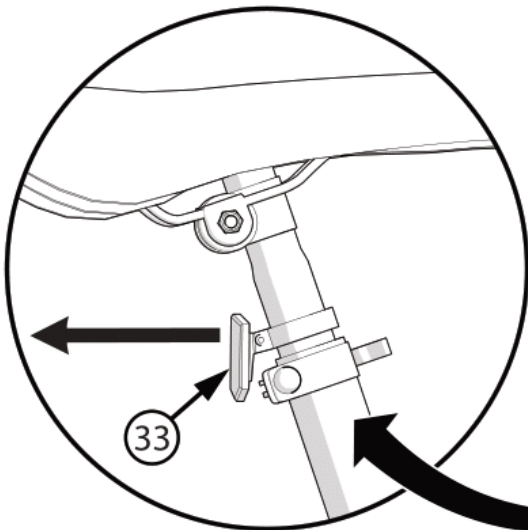


fig 12

1. Position REAR Reflector (33) so it points straight backwards.
2. Tighten Clamp Screw.

**NOTE:** Do not over-tighten. This will damage the Clamp.





## Pedal Installation

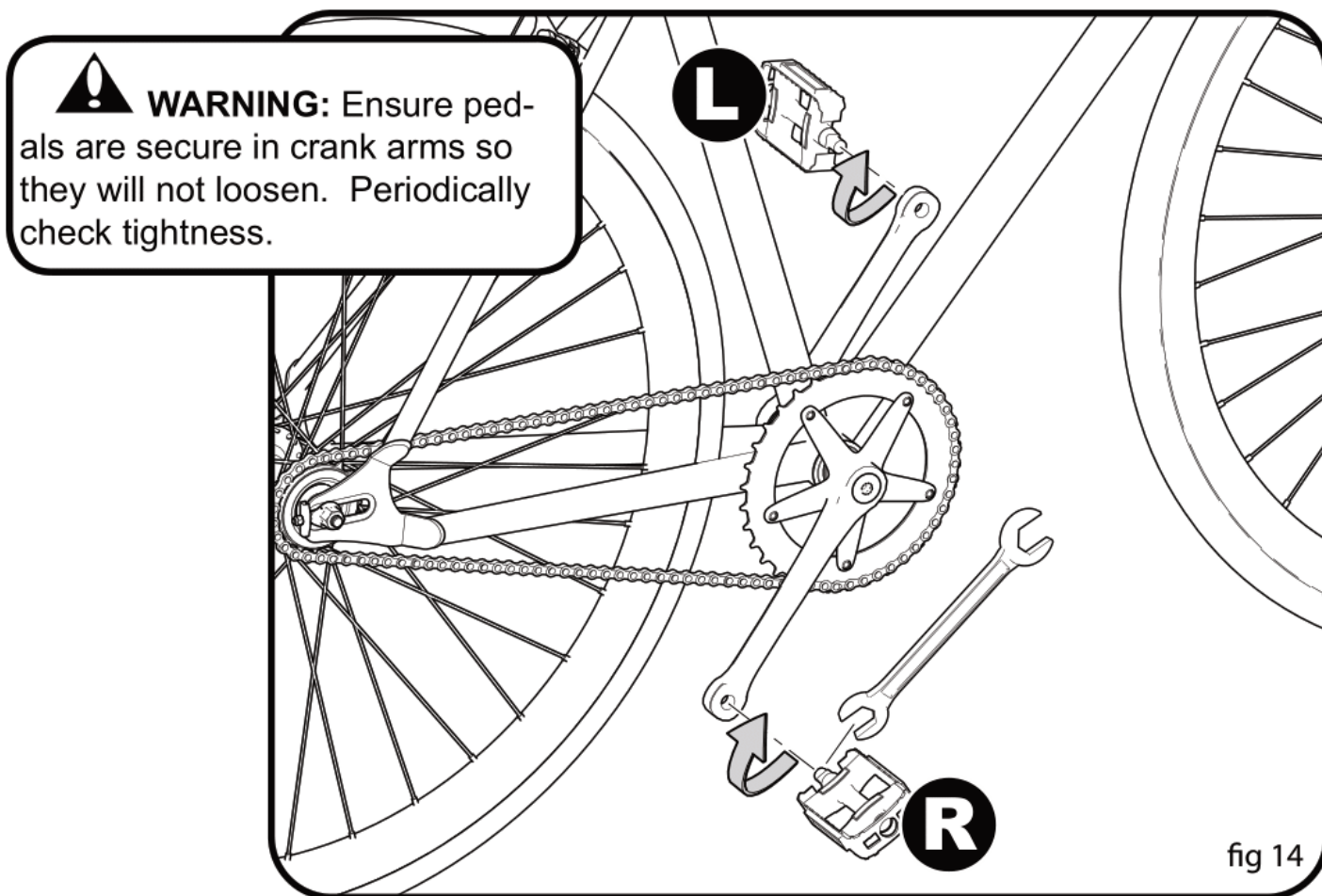
**CAUTION:** There is a right pedal marked “R” and a left pedal marked “L”.

- The pedal marked “R” has right-hand threads. Tighten it in a **clockwise direction**.
- The pedal marked “L” has left-hand threads. Tighten it in a **counterclockwise direction (anti-clockwise)**.
- Turn the right pedal marked “R” into the right side of the crank arm, and the left pedal marked “L” into the left side of the crank arm.

**Tighten the pedals (fig 14):**

- Make sure the threads of each pedal are fully into the crank arm.

**NOTE:** The recommended torque (tightness) for each pedal is 30 ft-lbs.



**Note:** A Pedal Wrench is preferred for attaching Pedals. An open-end wrench can also be used as shown.

## Switching Rear Wheel Sprocket on Fixed Gear Bicycles

Fixed gear bicycles are those that have a direct drive rear hub/wheel. On this model the rear wheel has a sprocket on each side of the rear wheel:

- The Freewheel sprocket will let you coast without turning the pedals.
- The Fixed Gear sprocket turns the pedals whenever the rear wheel is turning.



**FIXED GEAR WARNINGS:** This bicycle is equipped with a fixed gear drive-train. You need to alter your riding style accordingly.

- **Slowing/Stopping:** The pedals will keep moving as you slow down and stop. You must keep your feet turning on the pedals while applying the hand brakes until you stop.
- **Pedal Strike:** If you hit a pedal on a Fixed Gear bike while turning a corner, the pedal can lift the rear wheel off the road and cause a crash.
- **Derailment and Wheel Lock:** If the chain comes off of the rear sprocket on a Fixed Gear bike, it can get caught or loop around the rear sprocket. This can cause the rear wheel to lock up. If this happens, it can cause a crash. This can be prevented by making sure your chain is adequately tight.
- **Catching Fingers, Clothing or Shoelaces:** If you hand-pedal a Fixed Gear bike and a finger or an article of clothing comes into contact with the chain or a sprocket, the momentum of the wheel will keep the chain moving and can cause serious injury.



### **FREEWHEEL WARNINGS:**

- With the Freewheel sprocket in place you must use hand brakes to stop. Ensure hand brakes are properly adjusted.

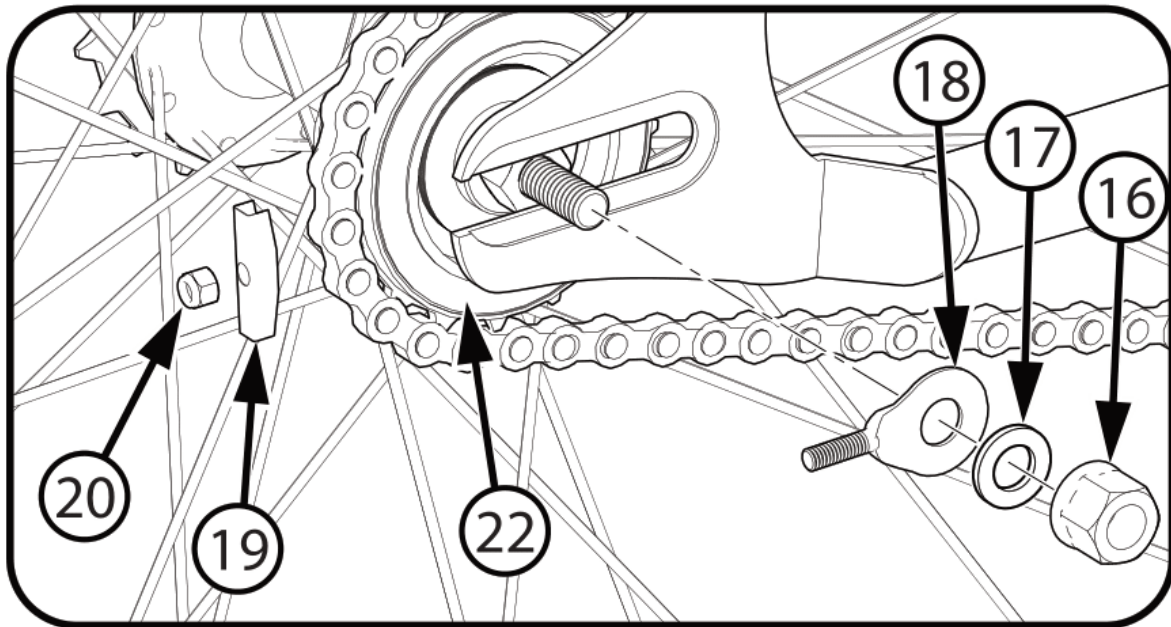
continued >>

## Switching Rear Wheel Sprocket - continued

**Note:** The Bicycle comes from the factory with the Freewheel Sprocket in use.

### Step One:

- Begin by loosening the Adjuster Nut (20). Remove Nut and Bracket (19).
- Remove the Axle Nut (16) Washer (17) and Adjuster Stud (18). Remove Axle Nut and washer from opposite side.



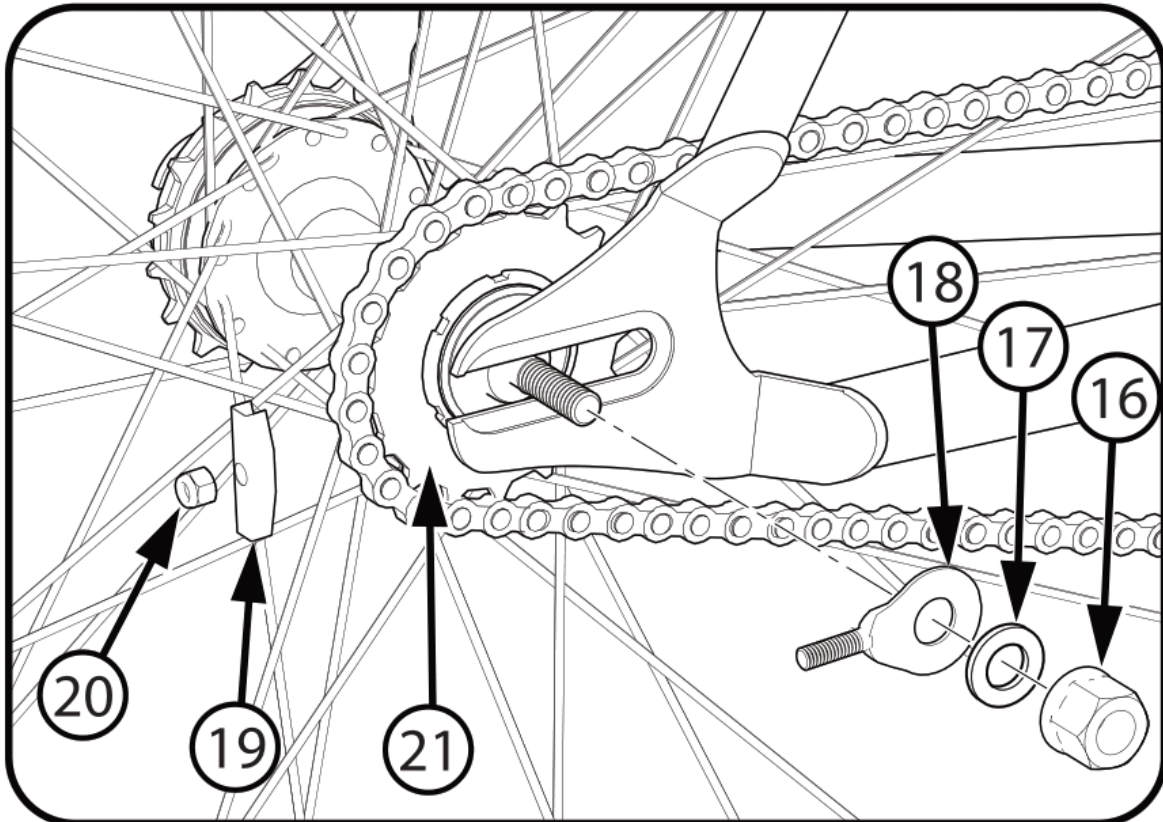
### Freewheel Gear (22)

**Note:** The Freewheel Gear will turn in one direction on the wheel.

## Switching Rear Wheel Sprocket - continued

### Step Two:

- Slide wheel forward in frame and remove the chain from the sprocket.
- Remove the Wheel from the frame.
- Turn the wheel around so that the Fixed Gear Sprocket (21) is on the Right Side.
- Put chain on the Fixed Gear sprocket as you slide the axle into the frame.
- Install Adjuster Stud (18), Bracket (19) and Adjuster Nut (20) hand tight.
- Install Washers (17) and Axle Nuts (16) on both sides hand tight.



**Fixed Gear (21)**

**Note:** The Fixed Gear will not turn on the wheel.

### **IMPORTANT:**

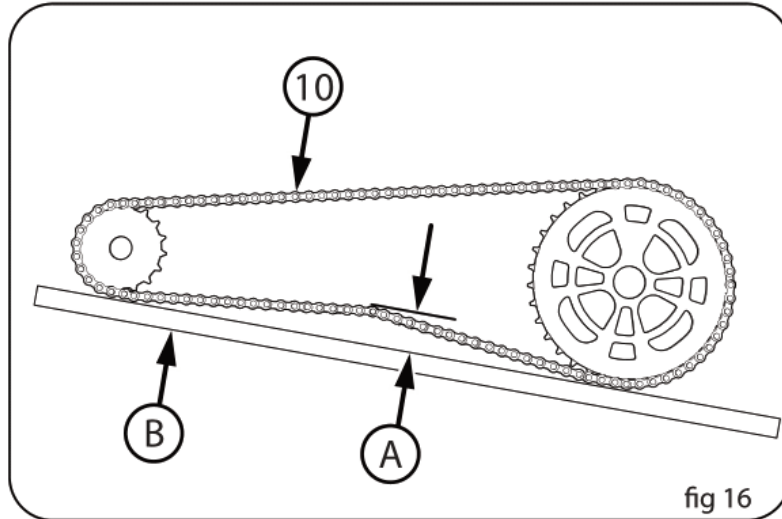
Proceed to Chain Adjustment on next page.



## Chain Adjustment

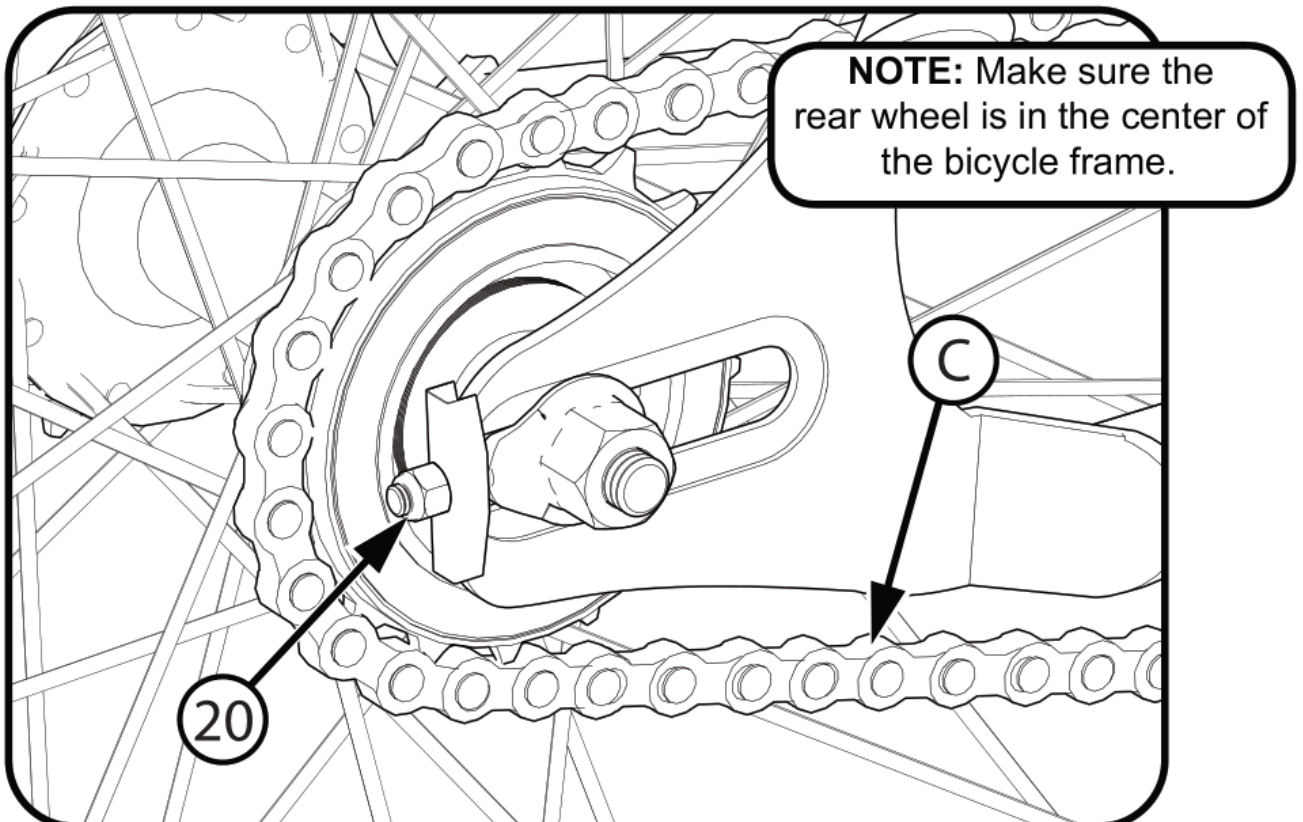
The chain must be at the correct tightness. If too tight, the bicycle will be difficult to pedal. If too loose, the chain can come off the sprockets.

When the chain (10) is at the correct tightness, you can rotate the crank freely and you can pull it no more than one-half inch (A) away from a straightedge (B) as shown.



### Adjust the tightness of the chain as follows:

- Loosen the Axle Nuts so they are hand tight.
- Turn Adjuster Nut (20) so that the Chain (10) is the correct tightness.
  - Turning clockwise tightens the chain.
  - Counter-clockwise loosens the chain.



## Chain Adjustment - continued

**NOTE:** If equipped, install the Rear Axle Kickstand at this point (see below).

- When the chain is properly tightened, hold the wheel in this position and tighten both axle nuts to 21 ft.-lbs.



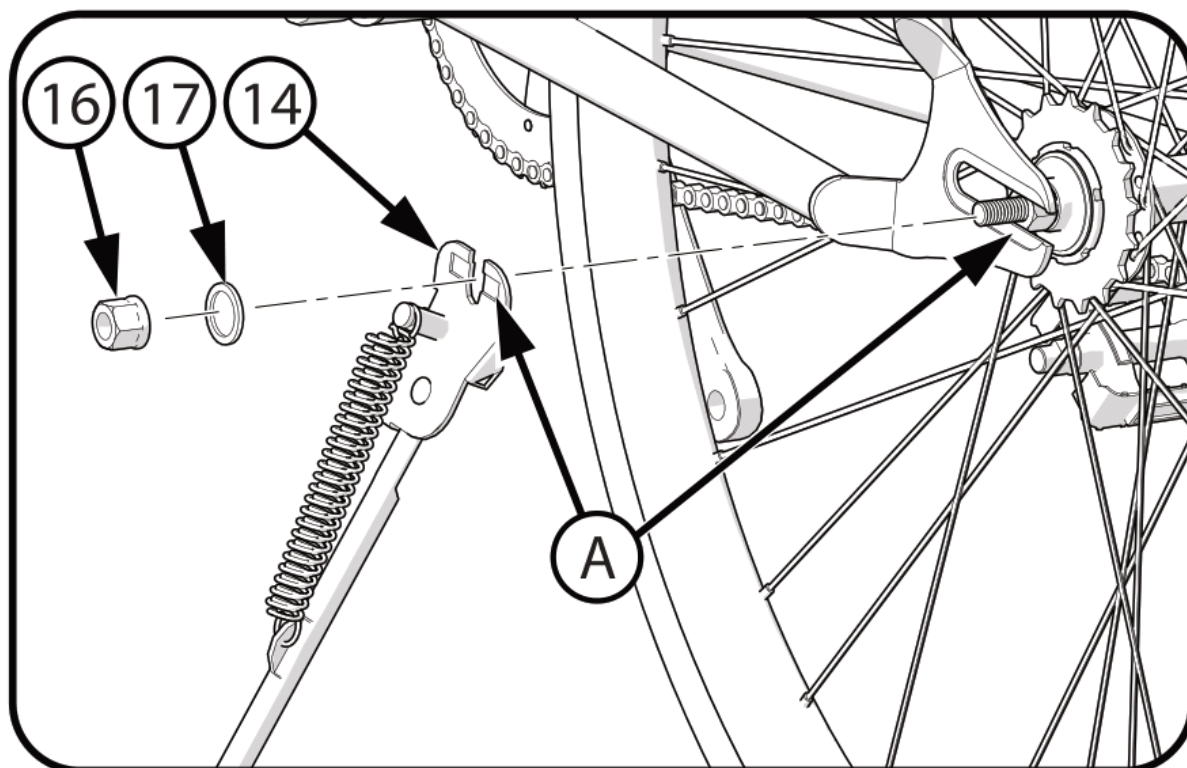
**WARNING:** Do not attempt chain repairs. If there is a problem with the chain, have a bicycle service shop make any repairs.

## Rear Axle Kickstand Install

**Note:** If Axle Nut and Washer are in place, remove and set aside.

### Steps:

- Place the Kickstand (14) over the rear axle so that the indents (A) line up.
- Install the Washer (17) and Axle Nut (16) hand tight.
- Make sure the Kickstand indents (A) are still in place and that the Kickstand is pointing straight down.
- Tighten the Axle Nut to 21 ft.-lbs.

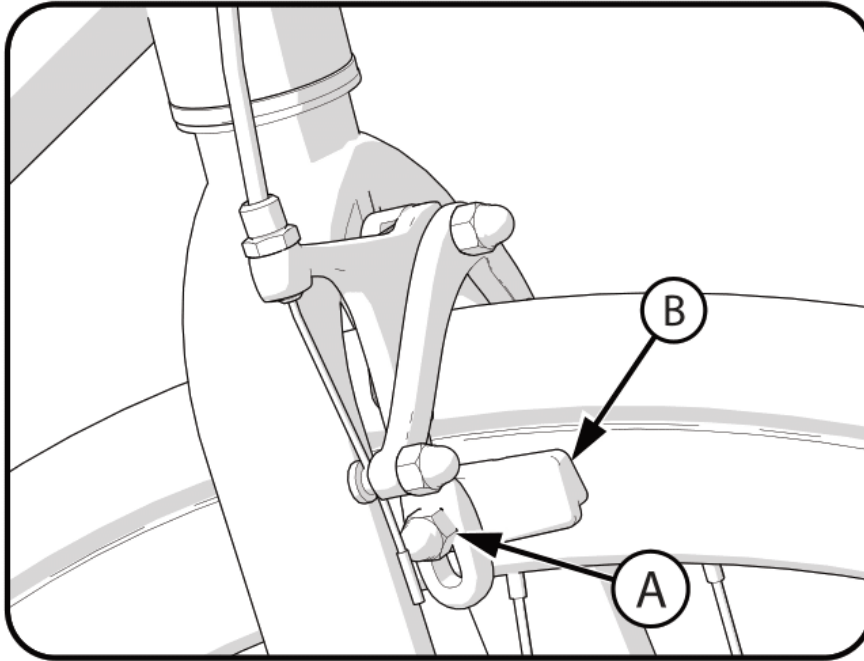


## Brake System Setup



**WARNING:** You must adjust the front brakes before you ride the bicycle.

**NOTE:** FRONT AND REAR BRAKE SETUP IS THE SAME.



**Step One:** Put the brake shoes (B) in the correct position:

- Loosen the Screw (A) of each Brake Shoe (B).
- Adjust each Brake Shoe so it is flat against the rim and aligned with the curve of the rim.
- Make sure each Brake Shoe does not rub the tire.
- If the surface of the Brake Shoe has arrows, make sure the arrows point toward the rear of the bicycle.
- Hold each Brake Shoe in position and tighten the Screw.

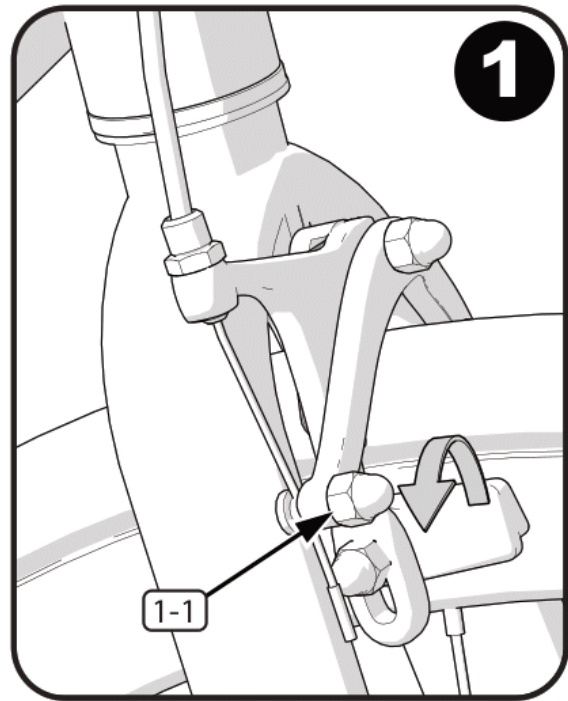
**Step Two:** Test the tightness of each Brake Shoe:

- Try to move each Brake Shoe out of position.
- If a Brake Shoe moves, do Step 1 again, but tighten the nut tighter than before.
- Do this test again, until each Brake Shoe does not move.

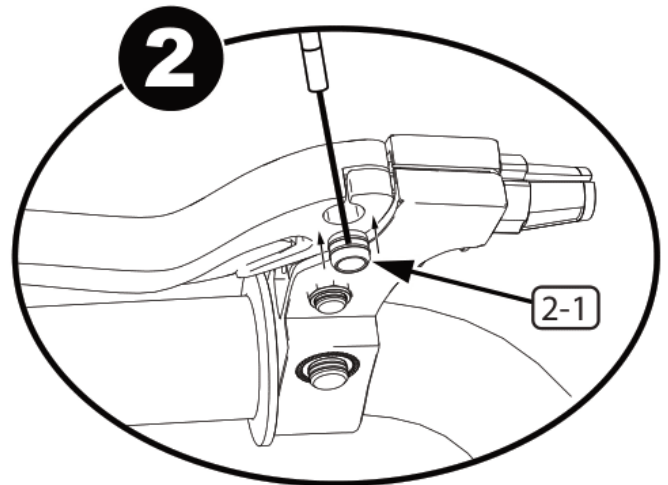
continued >>

## Brake System Setup - continued

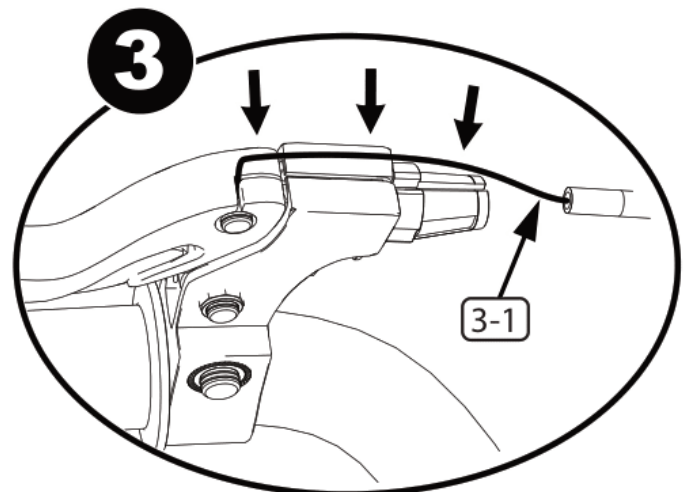
1. Loosen Cable Nut (1-1) so that the cable is loose.



2. Insert Cable Barrel (2-1) into Brake Lever.



3. Insert Brake Cable (3-1) into Groove as shown.

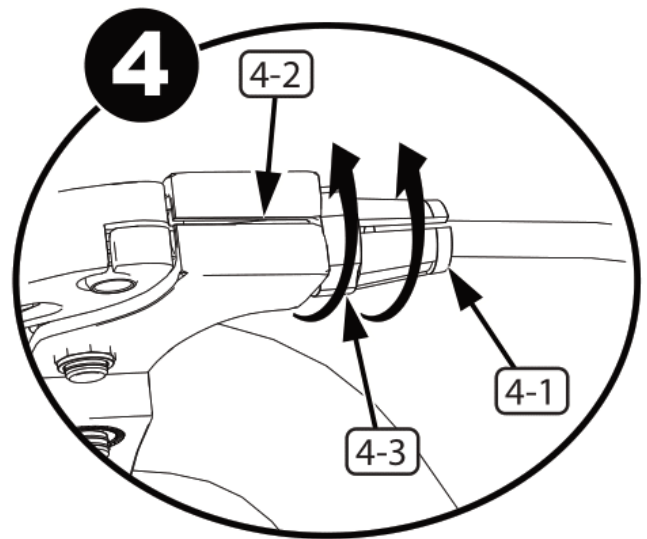


continued >>

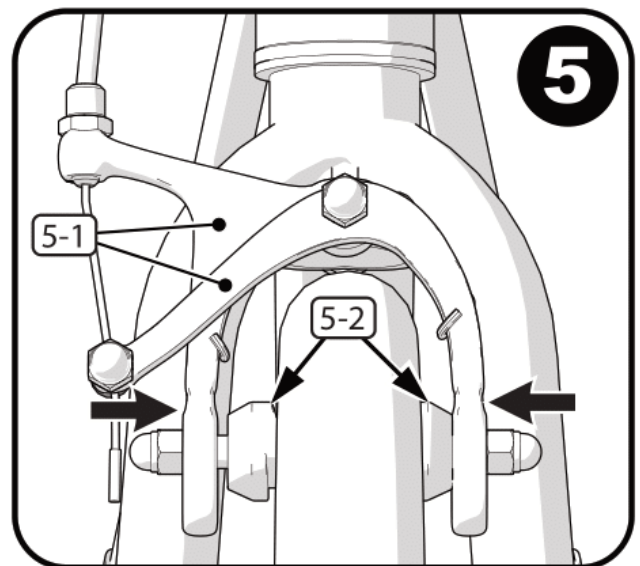


## Brake System Setup - continued

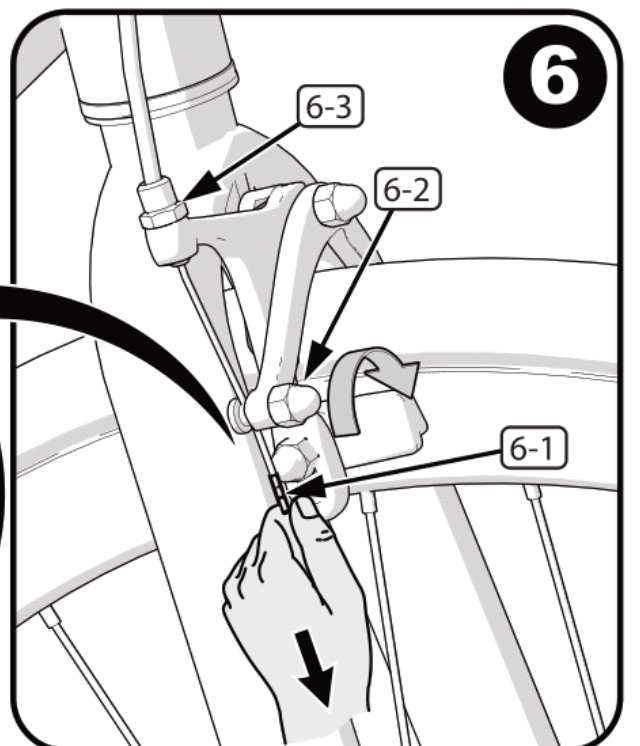
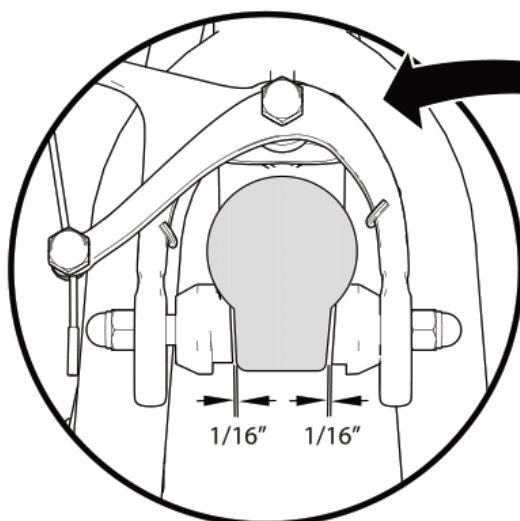
1. Rotate Housing (4-1) Groove away from Cable Groove (4-2) and tighten Housing Nut (4-3).



2. Squeeze Brake Arms (5-1) so that Brake Pads (5-2) are against the Rim.

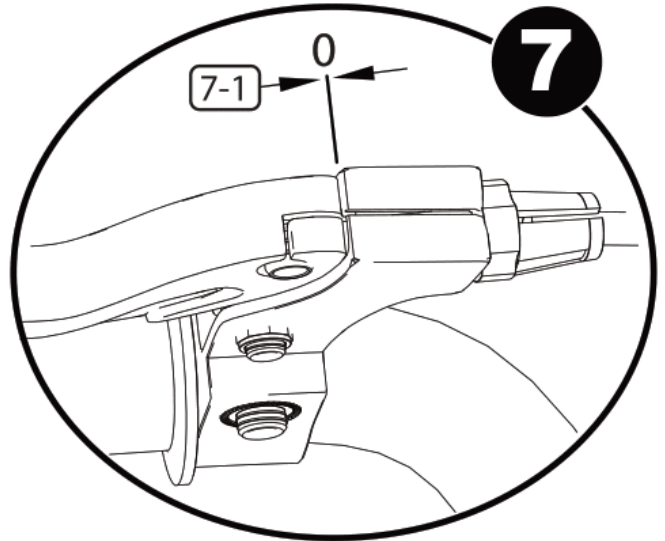


3. Pull Brake Cable (6-1) tight.
  - Tighten Cable Nut (6-2).
  - Adjust Cable Nut (6-3) for 1/16" Brake Pad clearance.

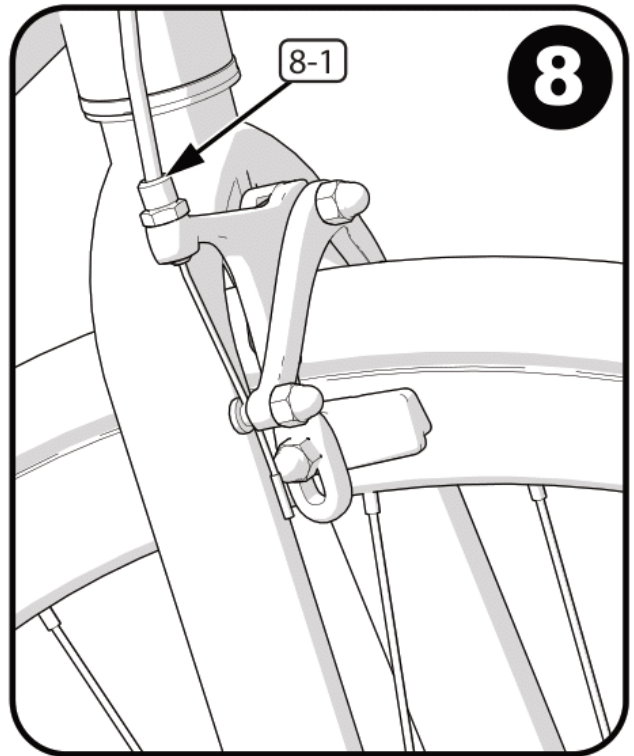
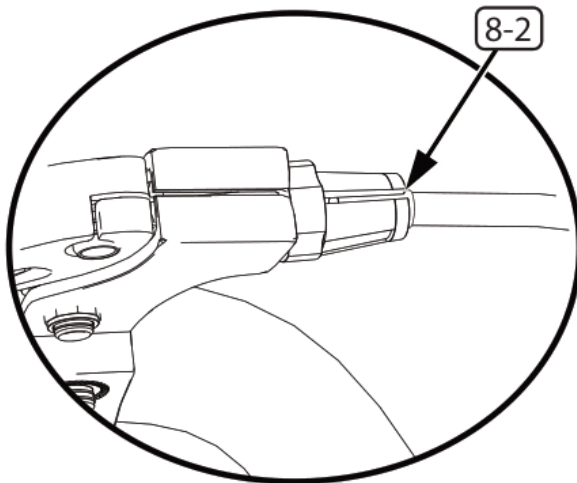


## Brake System Setup - continued

4. Make sure the Brake Lever is not loose (7-1).



5. Make sure the cable sheaths are fully inserted into the adjustment housing at the Caliper (8-1) and Hand Lever (8-2).





### **WARNING:**

- Inspect the bicycle frequently. Failure to inspect the bicycle and to make repairs or adjustments, as necessary, can result in injury to the rider or to others. Make sure all parts are correctly assembled and adjusted as written in this manual and any “Special Instructions”.
- Immediately replace any damaged, missing, or badly worn parts.
- Make sure all fasteners are correctly tightened as written in this manual and any “Special Instructions”. Parts that are not tight enough can be lost or operate poorly. Over tightened parts can be damaged. Make sure any replacement fasteners are the correct size and type.

**NOTE:** Have a bicycle service shop make any repairs or adjustments for which you do not have the correct tools or if the instructions in this manual or any “Special Instructions” are not sufficient for you.

## Chain



### **WARNING:**

- Inspect the chain for elongation frequently. If the chain has more than one-half inch slack, readjust chain tightness.

## Inspection of the Bearings

### **Maintenance**

Frequently check the bearings of the bicycle. Lubricate the bearings once a year or any time they do not pass the following tests:

### **Head Tube Bearings**

The fork should turn freely and smoothly at all times. With the front wheel off the ground, you should not be able to move the fork up, down, or side-to-side in the head tube.

### **Crank Bearings**

The crank should turn freely and smoothly at all times and the front sprockets should not be loose on the crank. You should not be able to move the pedal end of the crank from side-to-side.

### **Wheel Bearings**

Lift each end of the bicycle off the ground and slowly spin the raised wheel by hand. The bearings are correctly adjusted if:

- The wheel spins freely and easily.
- The weight of the spoke reflector, when you put it toward the front or rear of the bicycle, causes the wheel to spin back and forth several times.
- There is no side-to-side movement at the wheel rim when you push it to the side with light force.



## Tires

### Maintenance:

- Frequently check the tire inflation pressure because all tires lose air slowly over time. For extended storage, keep the weight of the bicycle off the tires.
- Do not use unregulated air hoses to inflate the inner tubes. An unregulated hose can suddenly over inflate bicycle tires and cause them to burst.
- Replace worn tires.

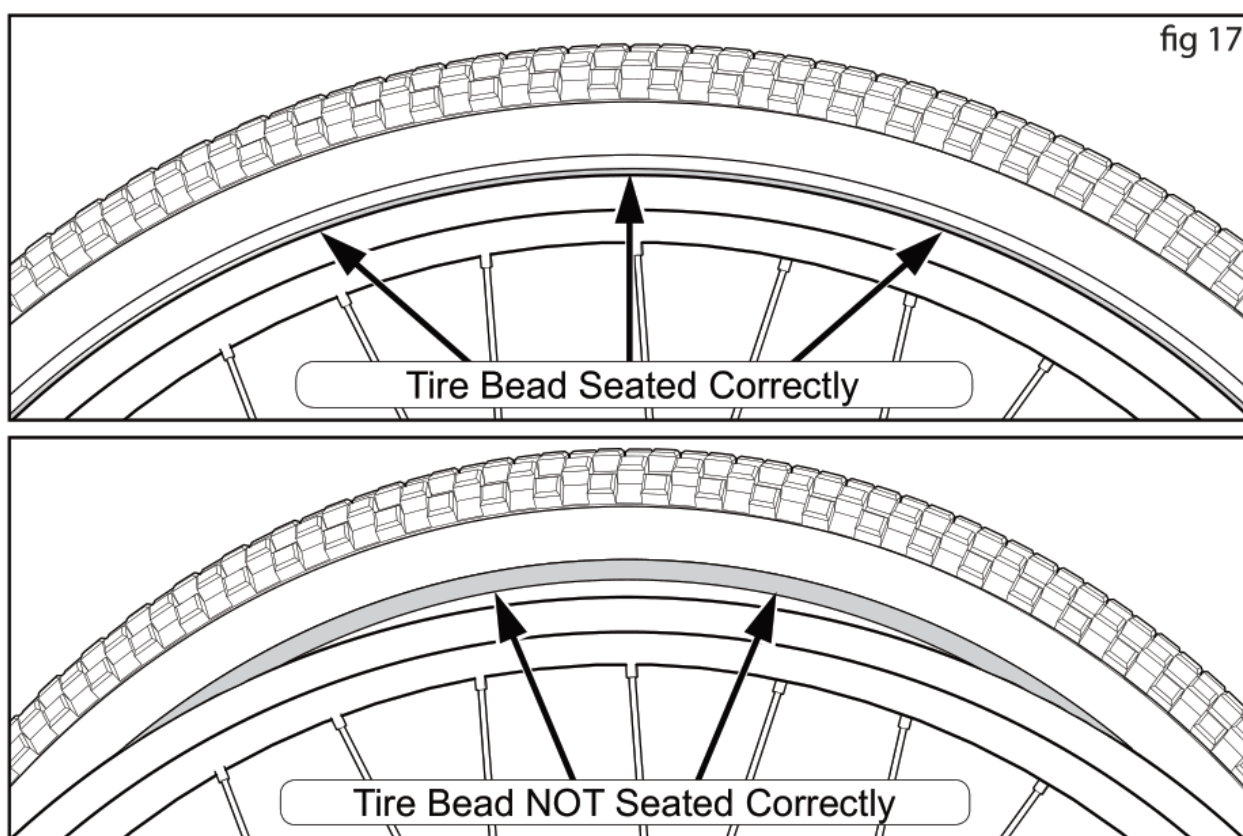


**WARNING:** Do not ride or sit on the bicycle if a tire is under inflated. This can damage the tire and inner tube.

### Inflating the Tires:

- Use a hand or a foot pump to inflate the tires.
- Service station meter-regulated air hoses are also acceptable.
- The maximum inflation pressure is shown on the tire sidewall.
- If two inflation pressures are on the tire sidewall, use the higher pressure for on-road riding and the lower pressure for off-road riding.
- The lower pressure will provide better tire traction and a more comfortable ride.

Before adding air to any tire, make sure the edge of the tire (the bead) is the same distance from the rim, all around the rim, on both sides of the tire. If the tire does not appear to be seated correctly, release air from the inner tube until you can push the bead of the tire into the rim where necessary. Add air slowly and stop frequently to check the tire seating and the pressure, until you reach the correct inflation pressure. See **fig 17**.







## WARNING:

- Do not over lubricate. If oil gets on the wheel rims or the brake shoes, it will reduce brake performance and a longer distance to stop the bicycle will be necessary. Injury to the rider or to others can occur.
- The chain can throw excess oil onto the wheel rim. Wipe excess oil off the chain.
- Keep all oil off the surfaces of the pedals where your feet rest.
- Using soap and hot water, wash all oil off the wheel rims, the brake shoes, the pedals, and the tires.
- Rinse with clean water and dry completely before you ride the bicycle.
- Using a light machine oil (20W), lubricate the bicycle according to the following table:

## Lubrication Table

| What           | When             | How  |
|----------------|------------------|--|
| Brake Levers   | every six months | Put one drop of oil on the pivot point of each brake lever.  |
| Caliper Brakes | every six months | Put one drop of oil on the pivot point of each caliper brake.  |
| Brake Cables   | every six months | Put four drops of oil into both ends of each cable. Allow the oil to soak back along the cable wire. |
| Pedals         | every six months | Put four drops of oil where the axles go into the pedals.  |
| Chain          | every six months | Put one drop of oil on each roller of the chain. Wipe all excess oil off the chain.                  |

## Huffy Corporation Limited Warranty

- Part or model specifications are subject to change without notice.
- This Limited Warranty is the only warranty for your Upgrade Corporation product. There are no other expressed or implied warranties.
- This Limited Warranty extends only to the original consumer and is not transferable to anyone else.
- Warranty registration is not required.
- The only uses for this product are described in this manual.

### What does this Limited Warranty cover?

This Limited Warranty covers all parts of the bicycle.

### What must you do to keep the Limited Warranty in effect?

This Limited Warranty is effective only if:

- Bicycle is completely and correctly assembled.
- Bicycle is used under normal conditions for its intended purpose (see the following section for excluded activities).
- Bicycle receives all necessary maintenance and adjustments.
- Bicycle is used for general transportation and recreational use only.

### What is not covered by this Limited Warranty?

- This Limited Warranty does not cover normal wear and tear, normal maintenance items, or any damage, failure, or loss that is caused by improper assembly, maintenance, adjustment, storage, or use of the bicycle.

### This Limited Warranty will be void if the bicycle is ever:

- Used in any competitive sport
- Used for stunt riding, jumping, aerobatics or similar activity
- Installed with a motor or modified in any other way
- Ridden by more than one person at a time
- Rented
- Used in a manner contrary to the instructions and warnings in this Owner's Manual

Huffy will not be liable for incidental or consequential loss or damage, due directly or indirectly from use of this product. Some states do not allow the exclusion or limitation of incidental or consequential damages, so the above limitation may not apply to you.

# Huffy Corporation Limited Warranty

## For how long does this Limited Warranty last?

- The frame is warranted for life except aluminum frames which are warranted for ten (10) years, from the date of purchase.
- The fork is warranted for life except for shock forks which are warranted one (1) year from date of purchase.
- All other components are warranted for six (6) months from the date of purchase.

## What will Upgrade do?

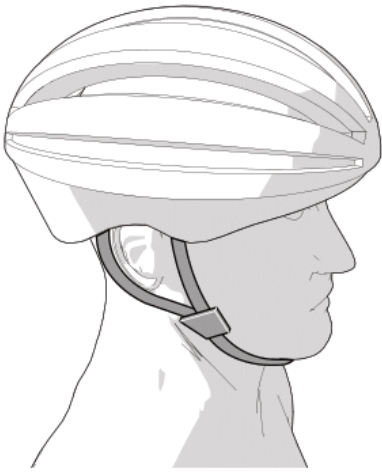
Upgrade will replace, without charge to you, the component found to be defective by Upgrade. The original owner must pay all labor and transportation charges connected with the repair or warranty work.

## How do you get service?

Contact Upgrade Consumer Service.  
See included list for Customer Contact information.

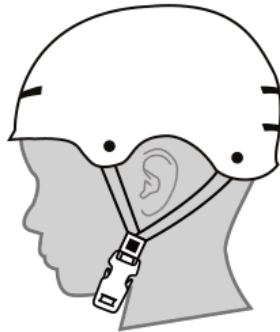
## What rights do you have?

This warranty gives you specific legal rights. You may also have other rights which vary from state to state.



# **WARNING: ALWAYS WEAR YOUR HELMET WHEN RIDING THIS PRODUCT!**

---



**CORRECT**



**INCORRECT**

- Helmet should sit level on your head and low on your forehead
- Adjust the strap sliders below the ear on both sides.
- Buckle the chin strap. Adjust strap until it is snug.
- No more than two fingers should fit between the strap and your chin.
- A proper fitting helmet should be comfortable and not rock forward/backward or side to side.
- Always read the user manual that comes with your helmet to make sure it is fitted and attached properly to the wearer's head according to the fitting instructions described in the user manual.